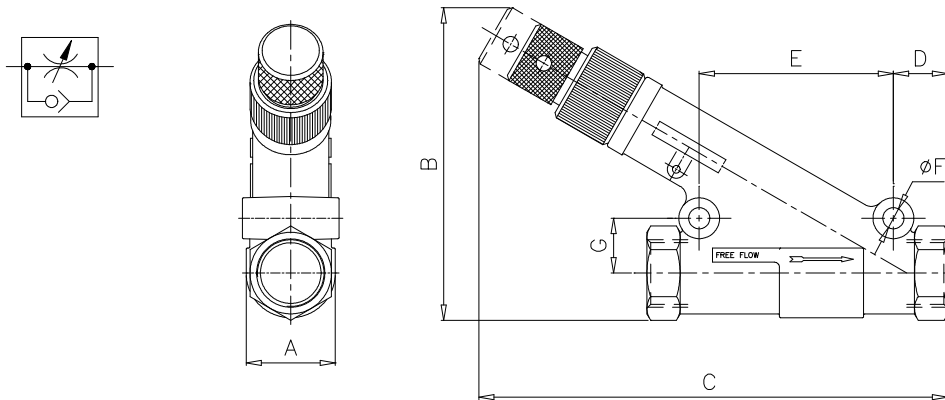


## Ordering Example

To order a flow regulators, quote the model number in the table. Eg. ZM/837 is a G 1/4 ported, uni-directional flow regulator. To order a spares kit to service a particular unit, quote the reference number in the tables, eg. ZQS/521/00 is a spares kit for ZM/837.



## Unidirectional Flow Regulators – line Mounted

Model	Port Size	A	B	C	D	E	F	G	Spares Kit
ZS/836	G1/8	17	45	73	17	24.5	5	8.3	ZQS/520/00
ZM/837	G1/4	22	47	85	13	41.5	5	11	ZQS/521/00
ZM/839	G1/2	29	95	146	24	57.0	8.3	17	ZQS/522/00
ZM/840	G3/4	35	122	185	21	76.2	8.7	21.5	ZQS/523/00
ZNCN/855	G1	52	171	257	37	90.0	13	24	ZQS/524/00