

- > **Port size: 3/8" ... 3/4"**
(ISO G/NPT)
- > **Excelon design allows in-line installation or modular installation with other Excelon products**
- > **Push to lock adjusting knob with optional tamper resistant accessory**
- > **Helps protect air operated equipment from over pressurisation**
- > **Norgren pressure relief valves comply with category O(S.E.P.) and category 1 of the Pressure Equipment Directive 97/23/EC.**



Technical features

Medium:

Compressed air only

Maximum operating pressure:

17 bar (246 psi)

Relief pressure range:

Standard

0,3 ... 10 bar (4 ... 145 psi)

Optional

0,3 ... 4 bar (4 ... 58 psi)

0,7 ... 17 bar (10 ... 250 psi)

Port size:

G3/8, G1/2, G3/4, 3/8 PTF,
1/2 PTF or 3/8 PTF

Gauge port:

Rc 1/8 with ISO G main ports
1/4 PTF with PTF main ports

Relief port:

Same size as the main ports

Ambient/Media temperature:

-34° ... +80°C (-30° ... +176°F)

Version with gauge:

-34° ... +65°C (-30° ... +149°F)

Air supply must be dry enough to avoid ice formation at temperatures below +2°C (+35°F).

Materials:

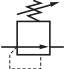
Body: Aluminium

Bonnet: Aluminium

Bottom plug: Acetal

Elastomers: CR

Technical data - standard models

Symbol	Port size	Size	Pressure range (bar)	Weight (kg)	Model
	G3/8	—	0,3 ... 10	0,82	V74G-3GK-NMN
	G1/2	Basic	0,3 ... 10	0,80	V74G-4GK-NMN
	G3/4	—	0,3 ... 10	0,78	V74G-6GK-NMN

Option selector

Port size	Substitute
3/8"	3
1/2"	4
3/4"	6
Thread form	Substitute
NPT	A
ISO G parallel (standard)	G
Adjustment	Substitute
Knob (standard)	K
T-bar	T*1)

V74G-★★★★-N★★

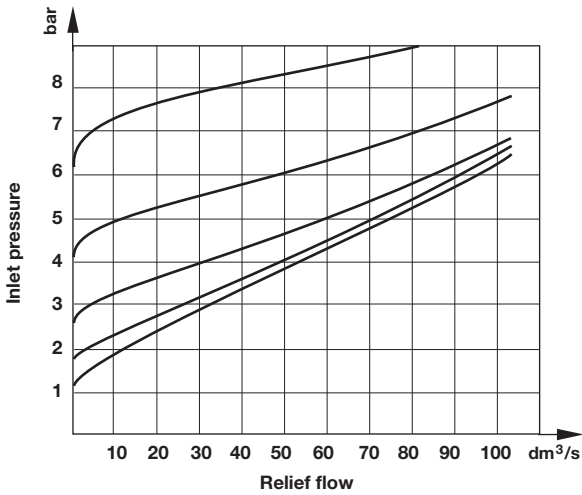
Gauge	Substitute
With	G
Without (standard)	N
Relief pressure adjustment range *2)	Substitute
0,3 ... 10 bar	M
0,3 ... 4 bar	F
0,7 ... 17 bar	S *1)

*1) Units with 17 bar outlet pressure range are available only with the T-bar adjustment; therefore substitute T at the 7th position and S at the 9th position.

*1) Relief valve can be adjusted to pressures in excess of, and less than, those specified. Do not use these units to control pressures outside of the specified ranges.

Flow characteristics

Spring range: 0,3 ... 10 bar (4 ... 145 psi)
Port size: 1/2"



Accessories

<p>Wall mounting bracket</p> <p>Page 3 4324-50</p>	<p>Quikclamp®</p> <p>Page 3 4314-51</p>	<p>Quikclamp with wall bracket®</p> <p>Page 3 4314-52</p>	<p>Neck mounting bracket</p> <p>Page 3 4368-51</p>	<p>Panel nut</p> <p>4348-89</p>	<p>Tamper resistant kit</p> <p>4355-51</p>
<p>Quikmount pipe adaptor *1)</p> <p>Page 3 G3/8: 4315-10 G1/2: 4315-11 G3/4: 4315-12 3/8 PTF: 4315-02 1/2 PTF: 4315-03 3/4 PTF: 4315-04</p>	<p>Porting block with three alternative 1/4" ports</p> <p>Page 3 G1/4: 4316-52 1/4 PTF: 4316-50</p>	<p>2/2 Shut-off valves (for full technical specification see datasheet 8.200.600)</p> <p>Page 3 G 3/8: T74B-3GA-P1N G 1/2: T74B-4GA-P1N G 3/4: T74B-6GA-P1N 3/4 PTF: T74B-6AA-P1N</p>	<p>3/2 Shut-off valves (for full technical specification see datasheet 8.200.600)</p> <p>Page 3 G 3/8: T74T-3GA-P1N G 1/2: T74T-4GA-P1N G 3/4: T74T-6GA-P1N 1/2 PTF: T74T-4AA-P1N 3/4 PTF: T74T-6AA-P1N</p>		

*1) Please use a Quikmount pipe adaptor if the Quikclamp be mounted at inlet or outlet side.

Pressure switch

<p>Porting block for pressure switch</p> <p>Page 4 0523110000000000</p>	<p>Pressure switch (0,5 ... 8 bar)</p> <p>0881300000000000</p>
--	---

Padlock

<p>Padlock (brass) with two keys *1)</p> <p>0613633000000000</p>

*1) For shut-off valves and tamper resistant kit

Service kits

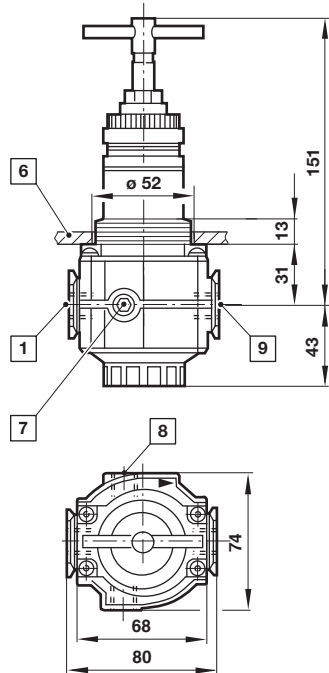
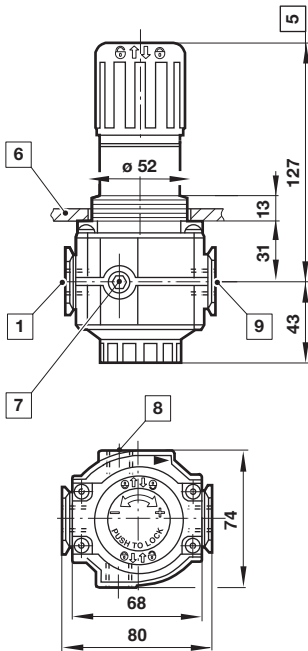
<p>Service kit</p> <p>V74G-KIT</p>

Drawings

Standard

T-bar

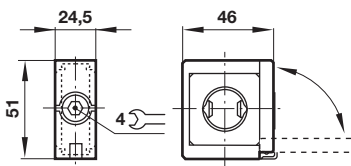
Dimensions in mm
Projection/First angle



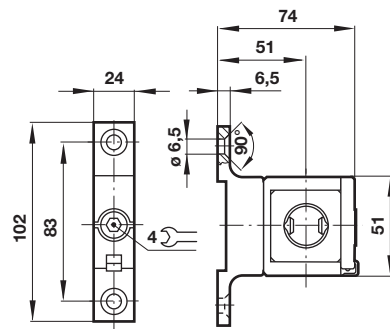
- 1 Inlet ports 3/8", 1/2" or 3/4"
- 5 Reduces by 4 mm with knob in locked position
- 6 Panel thickness 2 ... 6 mm
- 7 Gauge port Rc1/8 for ISO G and 1/4 PTF for PTF main ports
- 8 Alternative gauge port plugged
- 9 Exhaust ports 3/8", 1/2" or 3/4"

Accessories

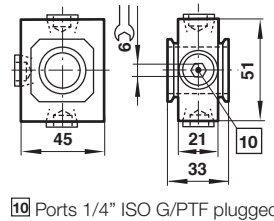
Quikclamp®



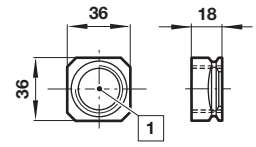
Quikclamp® with wall bracket



Porting block



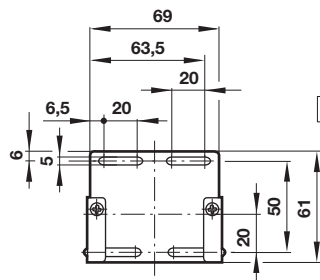
Pipe adapter



- 1 Main ports 3/8", 1/2" or 3/4" ISO G/PTF

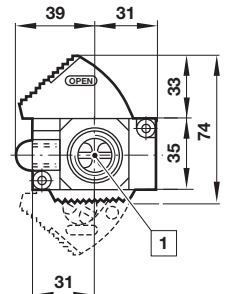
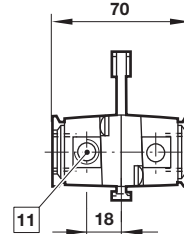
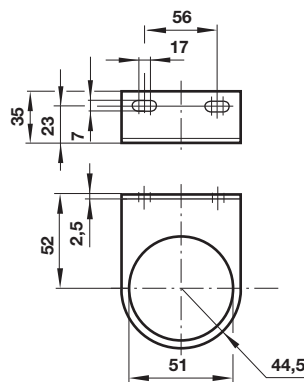
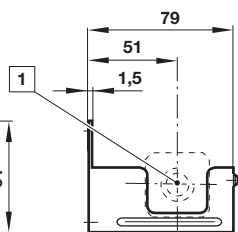
- 10 Ports 1/4" ISO G/PTF plugged

Wall mounting bracket



- 1 Main ports

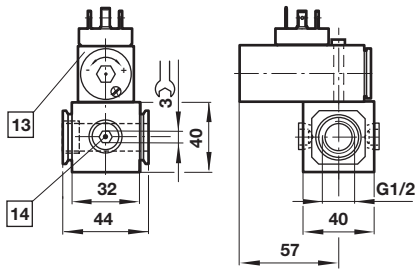
Neck mounting bracket Shut-off valves



- 1 Main ports 3/8", 1/2" or 3/4" ISO G/PTF
- 11 Exhaust port Rc1/8 at 3/2 valve only

Porting block for pressure switch

Dimensions in mm
Projection/First angle



13 Pressure switch is not in scope of delivery

14 Alternative G1/4 ports plugged

Warning

These products are intended for use in industrial compressed air systems only. Do not use these products where pressures and temperatures can exceed those listed under

»**Technical features/data**«.

Before using these products with fluids other than those specified, for non-industrial applications, life-support systems or other applications not within published specifications, consult IMI Precision Engineering, Norgren GmbH.

Through misuse, age, or malfunction, components used in fluid power systems can fail in various modes.

The system designer is warned to consider the failure modes of all component parts used in fluid power systems and to provide adequate safeguards to prevent personal injury or damage to equipment in the event of such failure.

System designers must provide a warning to end users in the system instructional manual if protection against a failure mode cannot be adequately provided.

System designers and end users are cautioned to review specific warnings found in instruction sheets packed and shipped with these products.