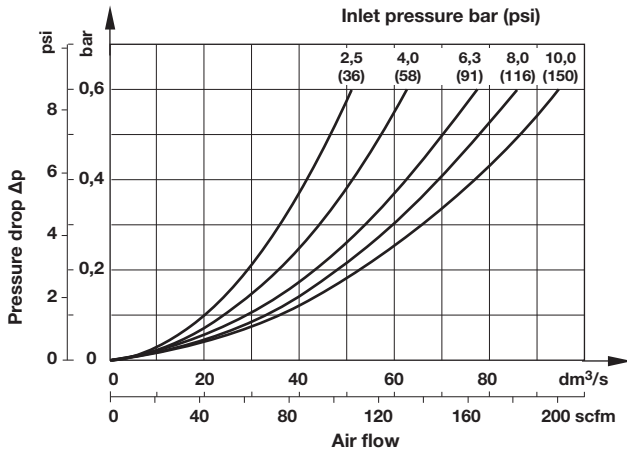


Flow characteristics

Port size: 1/2"; Filter element 40 µm



Accessories and service kit



Accessories

	Models with G-thread Single yoke	Double yoke	3/2 Shut-off valve Threaded inlet only	Threaded outlet only	End connector kit	Rear entry bracket kit
Thread	5				2	8
G1/4	Y64A-2GA-N1N	Y64A-2GA-N2N	T64T-2GB-P1N	T64T-2GC-P1N	—	—
G3/8	Y64A-3GA-N1N	Y64A-3GA-N2N	T64T-3GB-P1N	T64T-3GC-P1N	—	—
G1/2	Y64A-4GA-N1N	Y64A-4GA-N2N	T64T-4GB-P1N	T64T-4GC-P1N	74505-50	—
G3/4	Y64A-6GA-N1N*	Y64A-6GA-N2N*	T64T-6GB-P1N	T64T-6GC-P1N	74505-53	18-026-981
1/4 PTF	Y64A-2AA-N1N	Y64A-2AA-N2N	T64T-2AB-P1N	T64T-2AC-P1N	—	—
3/8 PTF	Y64A-3AA-N1N	Y64A-3AA-N2N	T64T-3AB-P1N	T64T-3AC-P1N	—	—
1/2 PTF	Y64A-4AA-N1N	Y64A-4AA-N2N	T64T-4AB-P1N	T64T-4AC-P1N	74505-52	—
3/4 PTF	Y64A-6AA-N1N*	Y64A-6AA-N2N*	T64T-6AB-P1N	T64T-6AC-P1N	74505-55	—

*These yokes are supplied with two end connector kits as standard.

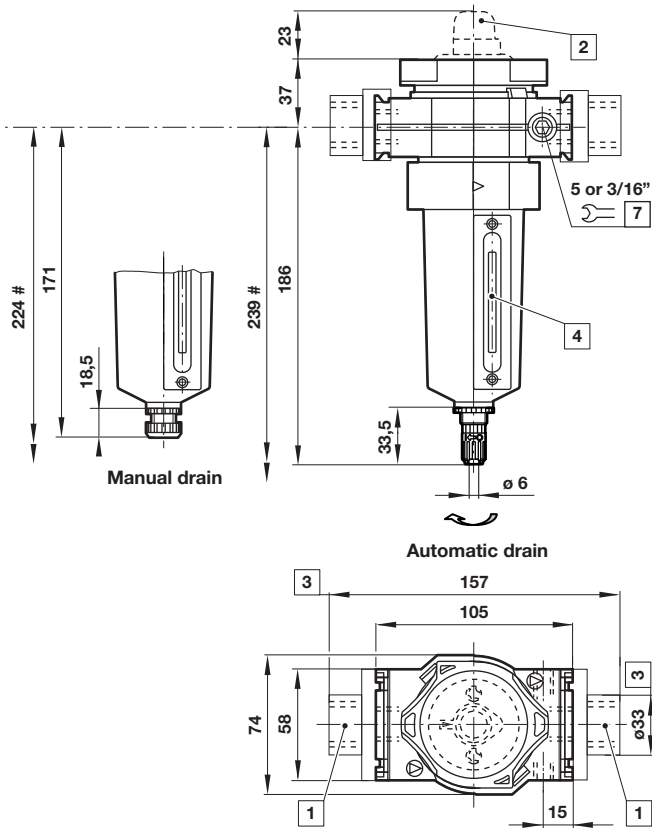
Bracket mounting	Nut	Yoke connector kit	Porting block	Adjustable pressure switch	Padlock with two keys
1	4	9			
74504-50	74502-89	74503-51	74507-50	4346-99	0613633 (brass)

Service kit

Service kit Automatic drain	Service kit Manual drain
F64G-KITA40	F64G-KITM40

Basic dimensions

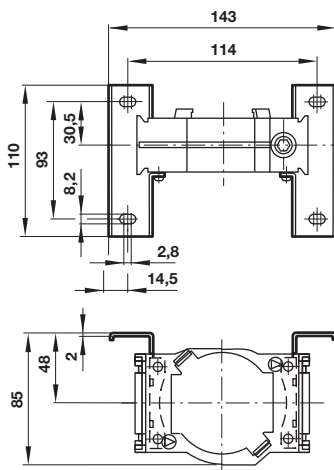
Dimensions in mm
Projection/First angle



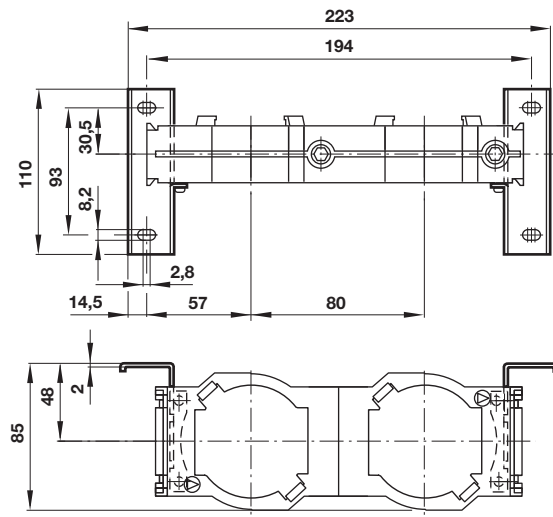
Minimum clearance required to remove bowl

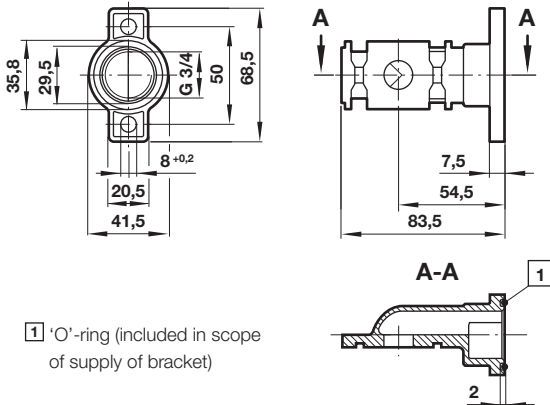
- 1 Main ports 1/4", 3/8", 1/2" or 3/4"
- 2 Service indicator optional
- 3 For main ports 3/4" only
- 4 Sight glass
- 7 Gauge port 1/8"

Single yoke with bracket mounting



Double yoke with bracket mounting

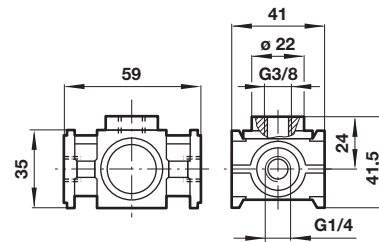


Rear entry bracket
18-026-981


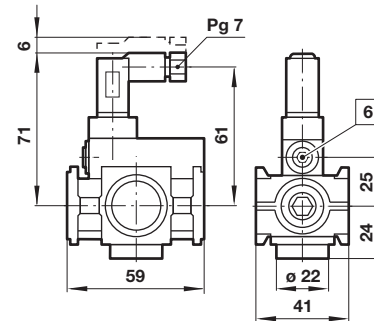
1 O'-ring (included in scope of supply of bracket)

Porting block
74507-50

Dimensions in mm
 Projection/First angle

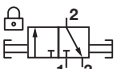

Adjustable pressure switch
4346-99

Voltage	24 V d.c./240 V a.c.
Current	0,5 A (d.c.); 5 A (a.c.)
Pressure range	2 ... 10 bar
Repeatability	2% of full set point range at 20°C
Average deadband	0,8 ... 1,7 bar
Electrical connection (corresponding to chosen coil)	EN 175301-803 - Form C, 15 mm
Degree of protection:	IP65
Adjustable	Standard
Material	Body: Aluminium, Elastomers: NBR

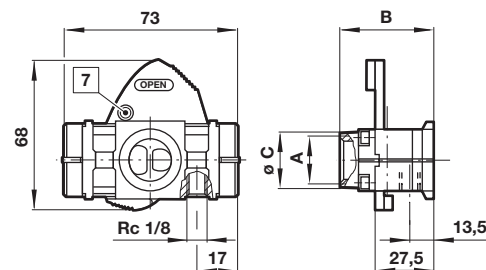


6 Adjusting screw

3/2 Shut-off valve

Symbol	A	B	ø C	Model
	G1/4	48	27	T64T-2G*-P1N
	G3/8	48	27	T64T-3G*-P1N
	G1/2	48	27	T64T-4G*-P1N
	G3/4	51	33	T64T-6G*-P1N

* B = Threaded inlet only, C = Threaded outlet only



7 Padlock hole ø7,5 mm

Warning

These products are intended for use in industrial compressed air systems only. Do not use these products where pressures and temperatures can exceed those listed under

»Technical features/data«.

Before using these products with fluids other than those specified, for non-industrial applications, life-support systems or other applications not within published specifications, consult IMI Precision Engineering, IMI International s.r.o.

Through misuse, age, or malfunction, components used in fluid power systems can fail in various modes.

The system designer is warned to consider the failure modes of all component parts used in fluid power systems and to provide adequate safeguards to prevent personal injury or damage to equipment in the event of such failure.

System designers must provide a warning to end users in the system instructional manual if protection against a failure mode cannot be adequately provided.

System designers and end users are cautioned to review specific warnings found in instruction sheets packed and shipped with these products.