

- > **Port size: G1/2 ... G1**
- > **Ultra high efficiency coalescing filters with active carbon pack**
- > **Carbon pack assists in the removal of hydro-carbon gases and odours**


**Technical features**
**Medium:**

Compressed air only

**Maximum operating pressure:**

17 bar (246 psi)

**Particle removal:**

To 0,01 µm

**Maximum remaining oil content in outlet air:**

 0,003 mg/m<sup>3</sup> max at +21°C (+70°F)

**Particle removal:**

To 0,01 µm

**Flow:**

See table below

**Port sizes:**

1/2", 3/4" or 1"

**Drain:**

Automatic or manual drain

**Automatic drain conditions:**

Pressure to close drain:

&gt; 0,3 bar (4.3 psi)

Pressure to open drain:

&lt; 0,2 bar (2.9 psi)

Minimum air flow to close drain:

 0,6 dm<sup>3</sup>/s (1.3 scfm)

**Service life indicator:**

Standard

**Bowl size:**

1 litre

**Ambient/Media temperature:**

-20° ... +65°C (-4 ... +122°F)

Air supply must be dry enough to avoid ice formation at temperatures below +2°C (+35°F).

**Materials:**

Body, yoke and bowl: Aluminium

Liquid level indicator: Pyrex

Main filter element &amp; activated carbon pack: Composite materials

Elastomers: NBR

Service life indicator:

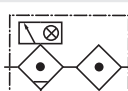
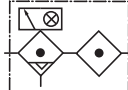
Body: Transparent PA

Internal parts: Acetal

Spring: Stainless steel

Elastomers: NBR

**Technical data - standard models**

Symbol	Port size	Size	Drain	Flow *1) (dm <sup>3</sup> /s)	Bowl size (litre)	Weight (kg)	Model
	G1/2	—	Manual	25	0,5	4,44	FFV68-428
	G3/4	—	Manual	35	1	5,05	FFV68-628
	G1	Basic	Manual	60	1	5,05	FFV68-828
	G1/2	—	Automatic	25	0,5	4,44	FFV68-408
	G3/4	—	Automatic	35	1	5,05	FFV68-608
	G1	Basic	Automatic	60	1	5,05	FFV68-808

\* Typical flow with inlet pressure 6,3 bar (90 psi) set pressure.

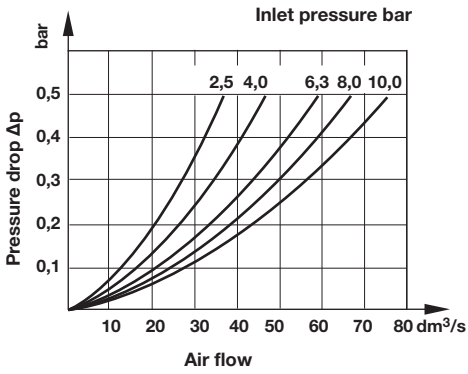
**Option selector**
**FFV68-★★8**

Port size	Substitute
G1/2	<b>4</b>
G3/4	<b>6</b>
G1	<b>8</b>

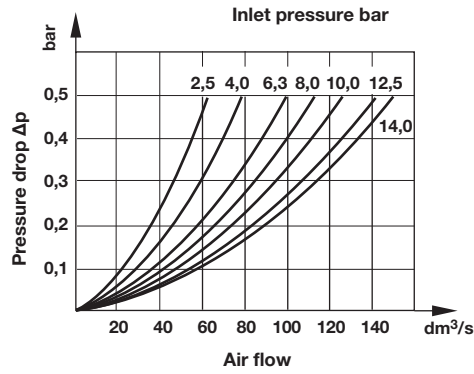
Drain	Substitute
Automatic	<b>0</b>
Manual, spindle type	<b>2</b>

**Flow characteristics**

**Port size: 1/2"**  
**Dry element**



**Port size: 1"**  
**Dry element**



**Accessories**

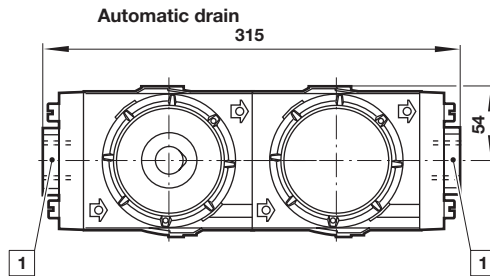
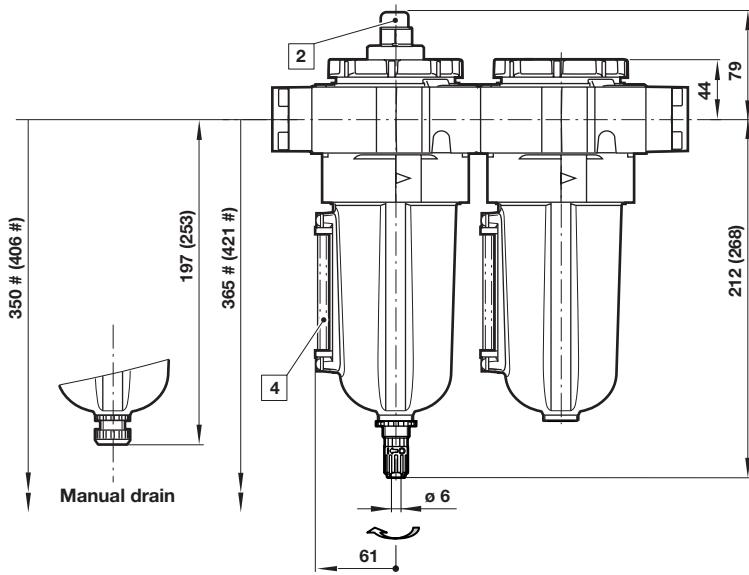
	Single yoke	Double yoke	End connector kit	Single yoke non threads	3/2 Shut-off valve Threaded inlet only	Threaded outlet only	Bracket mounting
<b>Thread</b>							
G1/2	Y68A-4GN-N1N	Y68A-4GN-N2N			T68H-4GB-B2N	T68H-4GC-B2N	18-001-979
G3/4	Y68A-6GN-N1N	Y68A-6GN-N2N	5524-55	74785-98	T68H-6GB-B2N	T68H-6GC-B2N	18-001-979
G1	Y68A-8GN-N1N	Y68A-8GN-N2N	5524-52		T68H-8GB-B2N	T68H-8GC-B2N	18-001-979

Nut	Porting block
5520-89	18-026-986 (G1/4 & G1/2)
	18-026-983 (1/4 & 1/2 NPT)

**Service kit**

Service kit, Automatic drain
F68C-KITA0C
F68H-KITA0C

**Dimensions**

 Dimensions in mm  
 Projection/First angle


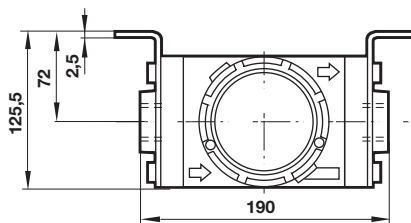
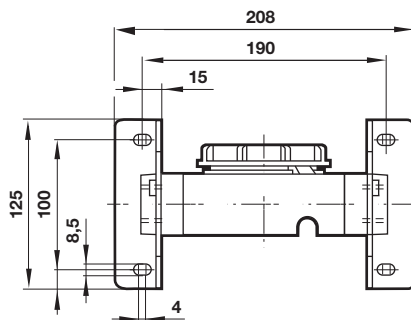
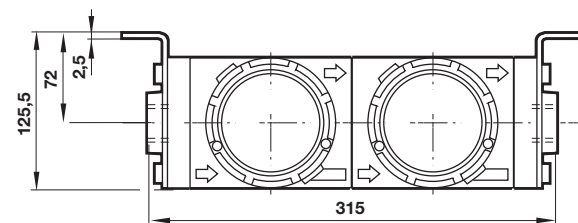
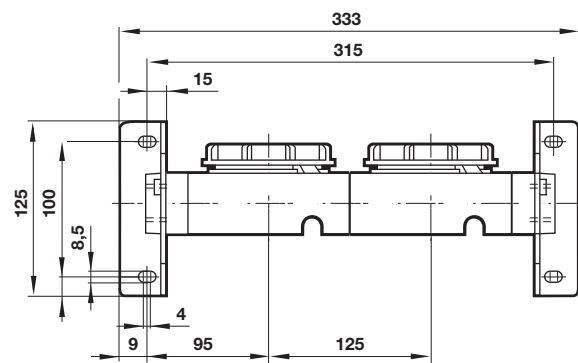
# Minimum clearance required to remove bowl

( ) values for 1 litre bowl

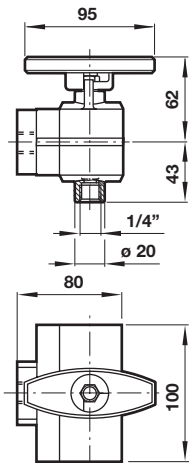
1 Main ports 1/2", 3/4" or 1"

2 Service life indicator

4 Sight glass

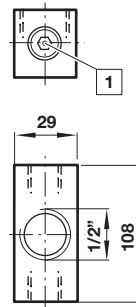
**Single yoke with bracket**

**Double yoke with bracket**


### 3/2 Shut-off valve



### Porting block

Dimensions in mm  
Projection/First angle



1 Two additional plugged G1/4 ports

### Warning

These products are intended for use in industrial compressed air systems only. Do not use these products where pressures and temperatures can exceed those listed under

#### »Technical features/data«.

Before using these products with fluids other than those specified, for non-industrial applications, life-support systems or other applications not within published specifications, consult IMI Precision Engineering, IMI International s.r.o.

Through misuse, age, or malfunction, components used in fluid power systems can fail in various modes.

The system designer is warned to consider the failure modes of all component parts used in fluid power systems and to provide adequate safeguards to prevent personal injury or damage to equipment in the event of such failure.

System designers must provide a warning to end users in the system instructional manual if protection against a failure mode cannot be adequately provided.

System designers and end users are cautioned to review specific warnings found in instruction sheets packed and shipped with these products.