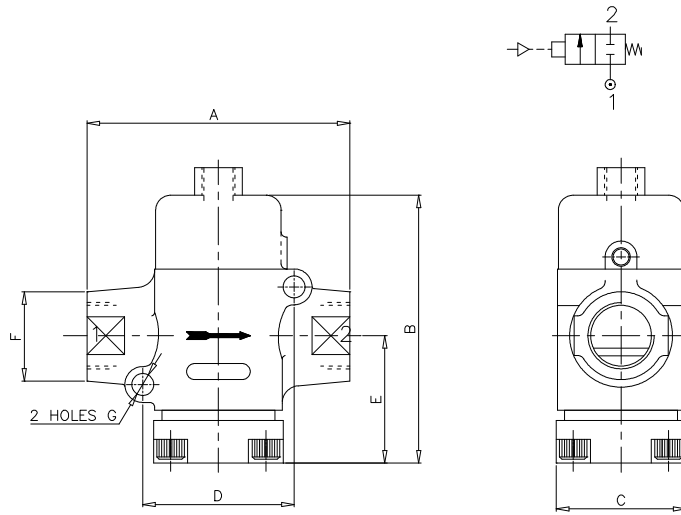


2/2 Poppet Valves ZNCN/700, ZNCN/1300



Ordering Example

To order quote model number in table, eg. ZNCN/1338 for a G 1/2 model for normal mains pressure.

Model	Type	Port	Pilot Port	A	B	C	D	E	F	G	Spares Kit
ZNCN/1328	2/2 vac	G1/2	G1/8	89	96	42	46	52	32	Ø6.5	ZQNCN/1328/00
ZNCN/1338	2/2 press	G1/2	G1/8	89	96	42	46	52	32	Ø 6.5	ZQNCN/1328/00
ZNCN/728	2/2 vac	G3/4	G1/4	105	103.5	50	60	60	38	Ø 8.5	ZQNCN/728/00
ZNCN/738	2/2 press	G3/4	G1/4	105	103.5	50	60	60	38	Ø 8.5	ZQNCN/728/00