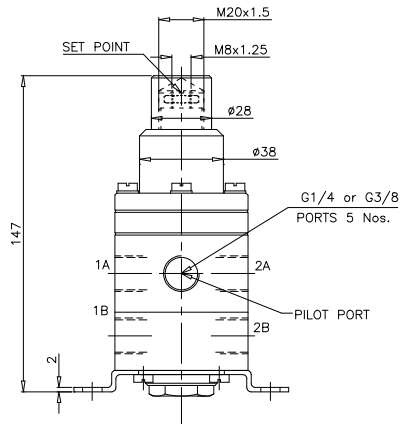


# Air Lock Valve ZNCN/5152



**1 A – Inlet**  
**1 B – Inlet**

**2 A – Outlet**  
**2 B – Outlet**

