

PRESSURE OPERATED VALVES

Model	Port size	Type	Mid position	Operator	Return
Z03061302	G1/4	3/2 N.C	-	Pressure	Spring
Z03060702	G1/4	3/2 N.C	-	Pressure	Pressure
ZX3064102	G1/4	5/2	-	Pressure	Spring
ZX3064702	G1/4	5/2	-	Pressure	Pressure
ZX3360702	G1/4	5/3	Fully Sealed	Pressure	Pressure
ZX3364702	G1/4	5/3	Supply Sealed	Pressure	Pressure
ZX3044102	G1/8	5/2	-	Pressure	Spring
ZX3044702	G1/8	5/2	-	Pressure	Pressure

MANUALLY OPERATED VALVES

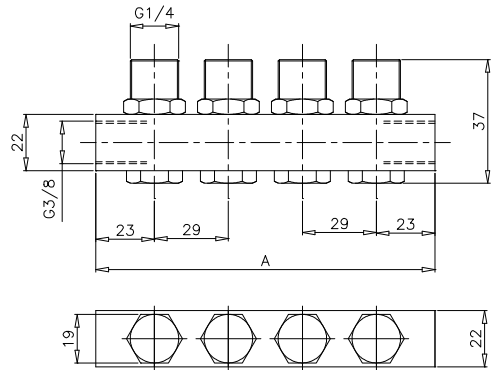
Model	Port size	Type	Mid position	Operator	Return
Z03063802	G1/4	3/2 N.C	-	Lever	Spring
Z03063702	G1/4	3/2 N.C	-	Lever	Lever
ZX3363802	G1/4	5/3	Fully Sealed	Lever	Lever
ZX3367802	G1/4	5/3	Supply Sealed	Lever	Lever
ZX3064402	G1/4	5/2	-	Button	Spring

MECHANICAL ACTUATED VALVES

Model	Port size	Type	Mid position	Operator	Return
Z03060202	G1/4	3/2 N.C	-	Roller	Spring
Z03061102	G1/4	3/2 N.C	-	Roller Lever	Spring
ZX3064002	G1/4	5/2	-	Plunger	Spring
ZX3065102	G1/4	5/2	-	Roller Lever	Spring

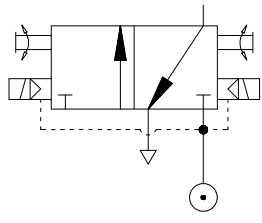
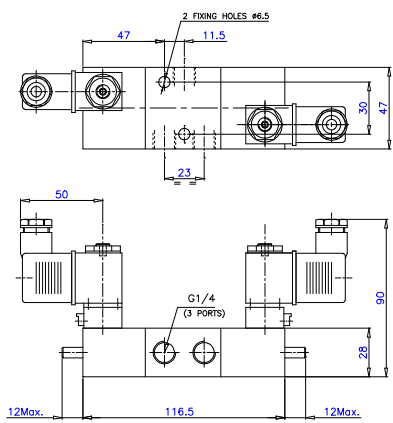
GANG MOUNTINGS

Number of Station	A	Product No.
2	75	Z14200200
3	104	Z14200300
4	133	Z14200400
5	162	Z14200500
6	191	Z14200600
7	220	Z14200700
8	249	Z14200800
9	278	Z14200900



Solenoid Pilot Set - Reset

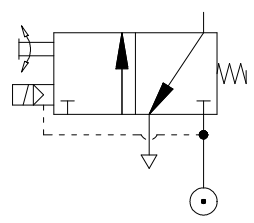
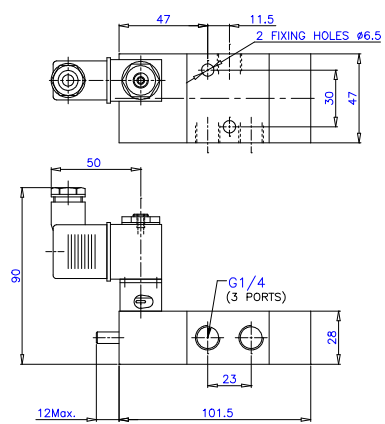
Face Mounted Miniature Solenoid



Model Number : **Z14 2131 00 000**
 Type : 3/2 Normally closed Integral Pilot Supply
 Valve should be mounted with the axis of the spool horizontal

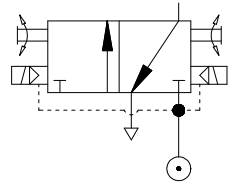
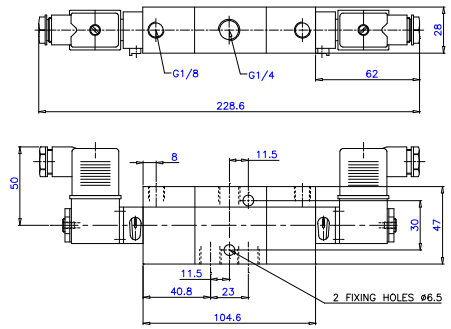
Solenoid Pilot Actuated, Spring Return

Face Mounted Miniature Solenoid



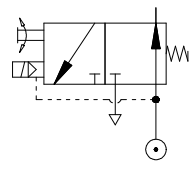
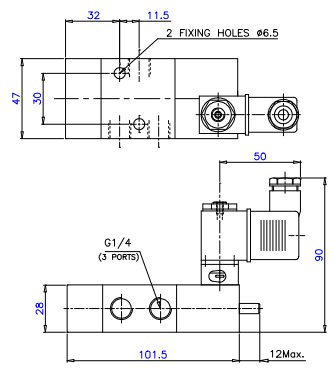
Model Number : **Z14 2135 00 000**
 Type : 3/2 Normally closed
 Integral Pilot Supply

Solenoid Pilot Set-Reset
End Mounted Miniature Solenoid



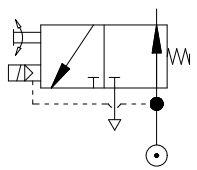
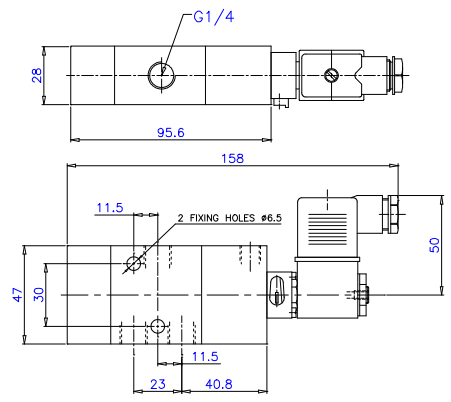
Model Number : **Z14 2838 0M 000**
Type : 3/2 Normally closed
Integral Pilot Supply

Solenoid Pilot Actuated, Spring return
Face Mounted Miniature Solenoid



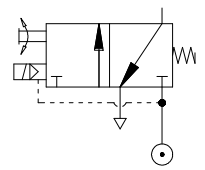
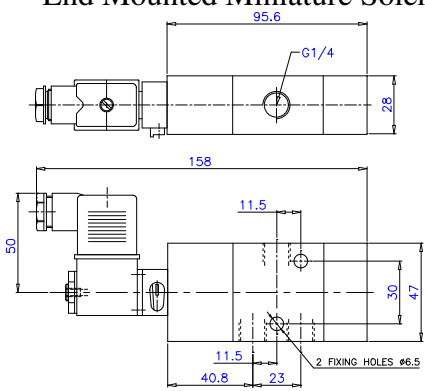
Model Number : **Z14 2531 00 000**
Type : 3/2 Normally open
Integral Pilot Supply

Solenoid Pilot Actuated, Spring return
End Mounted Miniature Solenoid



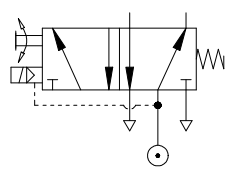
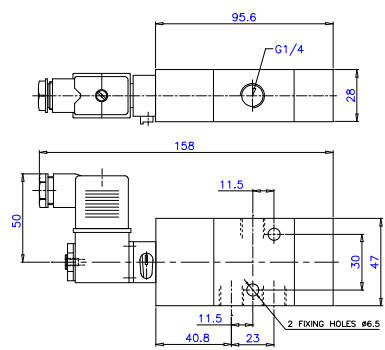
Model Number : **Z14 2538 0M 000**
Type : 3/2 Normally open
Integral Pilot Supply

**Solenoid Pilot Actuated, Spring return
End Mounted Miniature Solenoid**



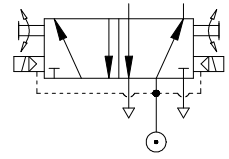
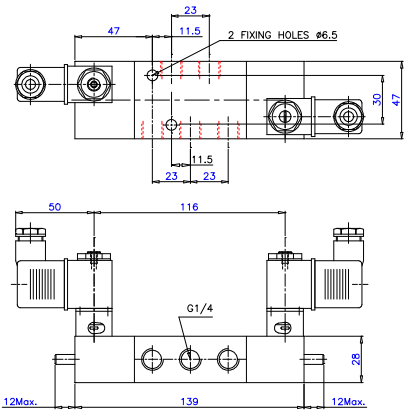
Model Number : **Z14 2835 0M 000**
 Type : 3/2 Normally Closed
 Integral Pilot Supply

**Solenoid Pilot Actuated, Spring return
Face Mounted Miniature Solenoid**



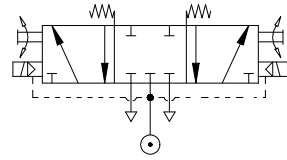
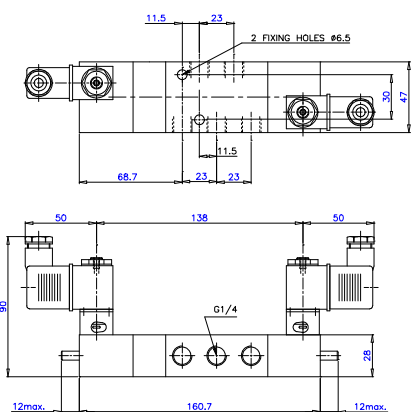
Model Number : **ZX4 2155 00 000**
 Type : 5/2
 Integral Pilot Supply

**Solenoid Pilot Set-Reset
Face Mounted Miniature Solenoid**

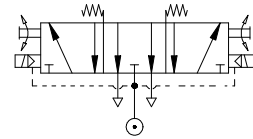


Model Number : **ZX4 2151 00 000**
 Type : 5/2
 Integral Pilot Supply
 Valve should be mounted with the axis of the
 Spool horizontal

**Spring Centralised, Solenoid Pilot Actuated
Face Mounted Miniature Solenoid**

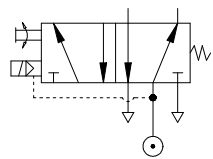
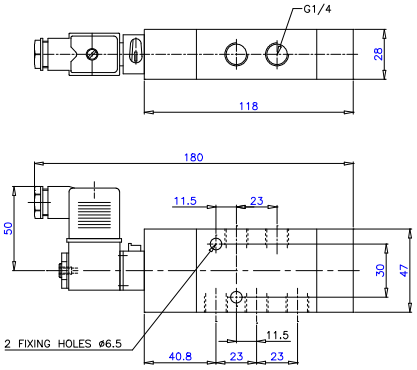


Model Number : **ZX4 2181 00 000**
 Type : 5/3 – Fully sealed mid-position
 Integral Pilot Supply



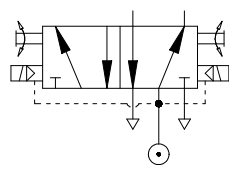
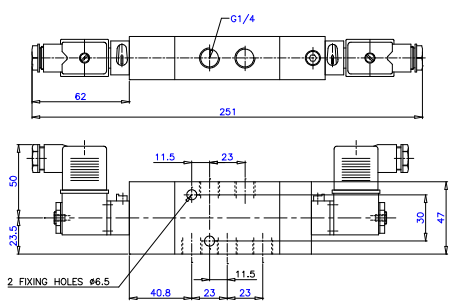
Model Number : **ZX4 2191 00 000**
 Type : 5/3 – Supply sealed mid-position
 Integral Pilot Supply

**Solenoid Pilot Actuated, Spring Return
End Mounted Miniature Solenoid**



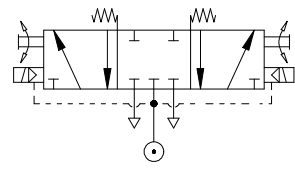
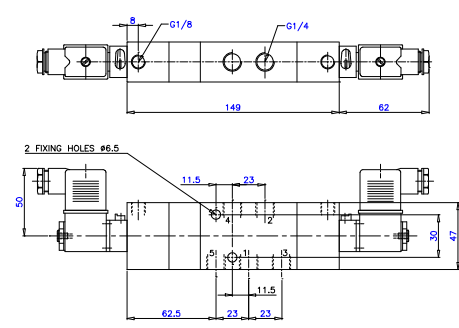
Model Number : **ZX4 2855 0M 000**
 Type : 5/2
 Integral Pilot Supply

**Solenoid Pilot Set-Reset
End Mounted Miniature Solenoid**



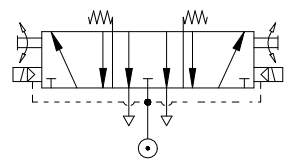
Model Number : **ZX4 2858 0M 000**
 Type : 5/2
 Integral Pilot Supply
 Valve Should be mounted with the axis of the spool horizontal

**Spring Centralised, Solenoid Pilot Actuated
End Mounted Miniature Solenoid**

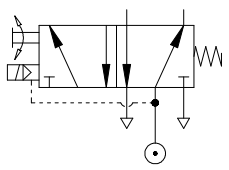
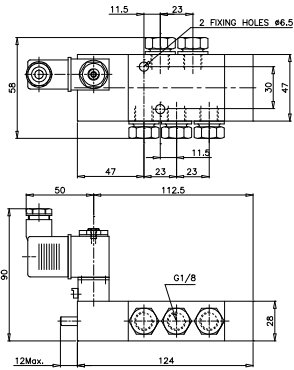


Model Number : **ZX4 2888 0M 000**
 Type : 5/3 Fully sealed mid position
 Integral Pilot Supply

Model Number : **ZX4 2898 0M 000**
 Type : 5/3 Supply sealed mid position
 Integral Pilot Supply

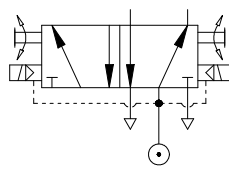
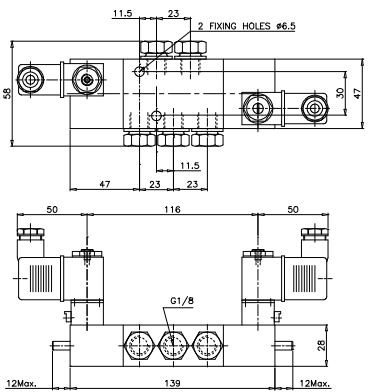


**Solenoid Pilot Actuated, Spring Return
Face Mounted Miniature Solenoid**



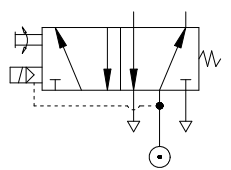
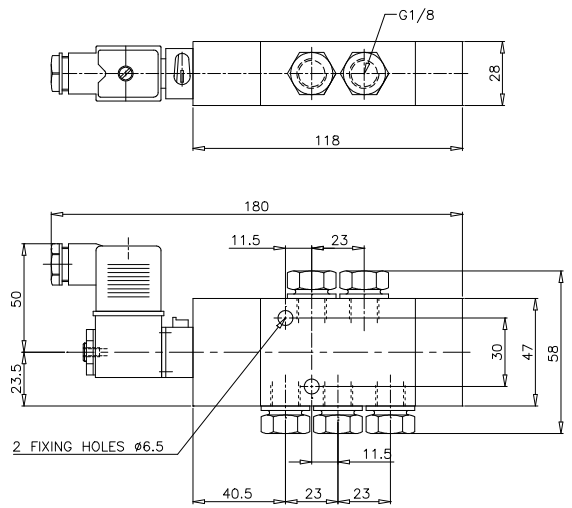
Model Number : **ZX4 1155 00 000**
 Type : 5/2
 Integral Pilot Supply
 Valve should be mounted with the axis of the spool horizontal

**Solenoid Pilot Set-Reset
Face Mounted Miniature Solenoid**



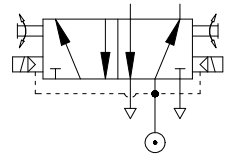
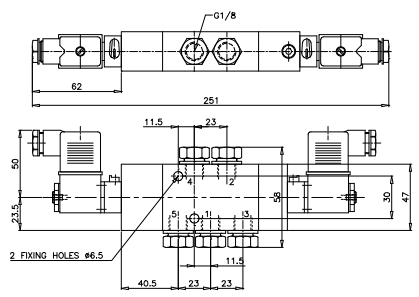
Model Number : **ZX4 1151 00 000**
 Type : 5/2
 Integral Pilot Supply
 Valve should be mounted with the axis of the spool horizontal

**Solenoid Pilot Actuated, Spring Return
End Mounted Miniature Solenoid**



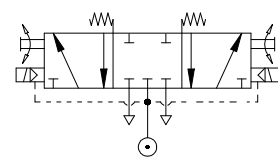
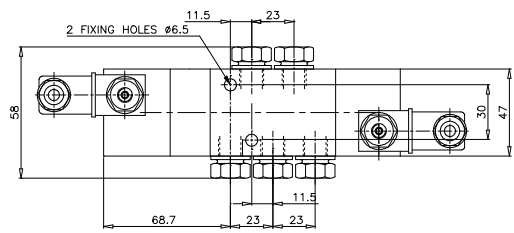
Model Number : **ZX4 1855 OM 000**
 Type : 5/2
 Integral Pilot Supply
 Valve should be mounted with the axis of the spool horizontal

Solenoid Pilot Set-Reset End Mounted Miniature Solenoid

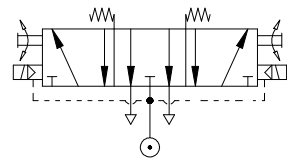
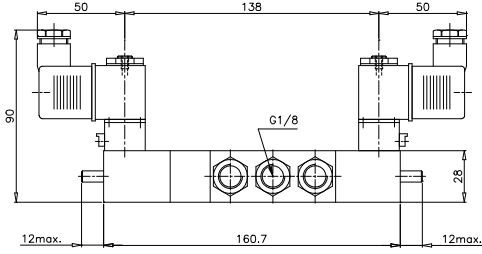


Model Number : **ZX4 1858 OM 000**
 Type : 5/2
 Integral Pilot Supply
 Valve should be mounted with the axis of the spool horizontal

Spring Centralised Solenoid Pilot Actuated Face Mounted Miniature Solenoid

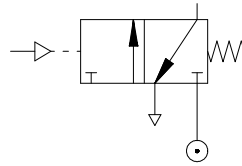
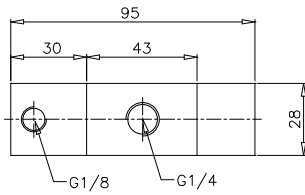


Model Number : **ZX4 1181 00 000**
 Type : 5/3 Fully sealed mid-position
 Integral Pilot Supply
 Valve should be mounted with the axis of the spool horizontal

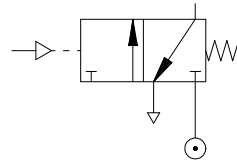
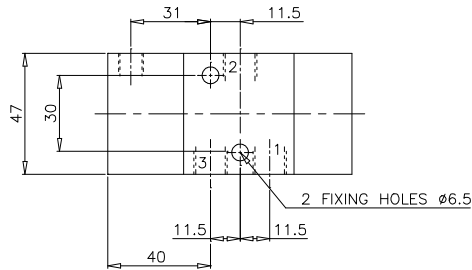


Model Number : **ZX4 1191 00 000**
 Type : 5/3 Supply sealed mid-position
 Integral Pilot Supply
 Valve should be mounted with the axis of the spool horizontal

Pressure Actuated, Spring Return

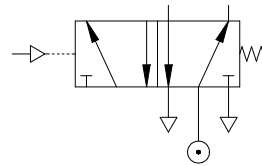
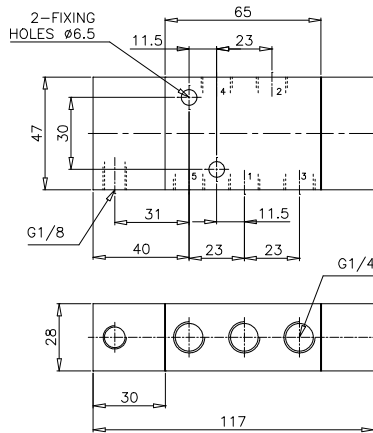


Model Number : **Z03 0601 02**
 Type : 3/2
 Pilot Pressure : 4 - 10 Bar



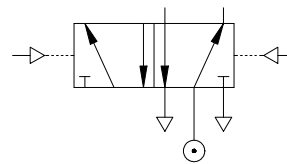
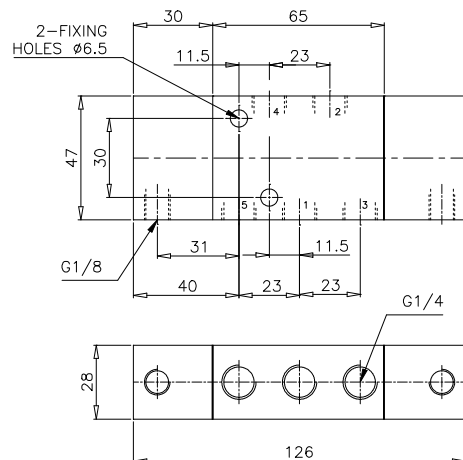
Model Number : **Z03 0613 02**
 Type : 3/2
 Pilot Pressure : 2 - 10 Bar

Pressure Actuated, Spring Return



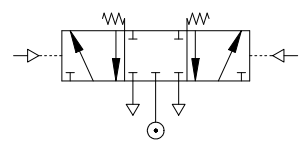
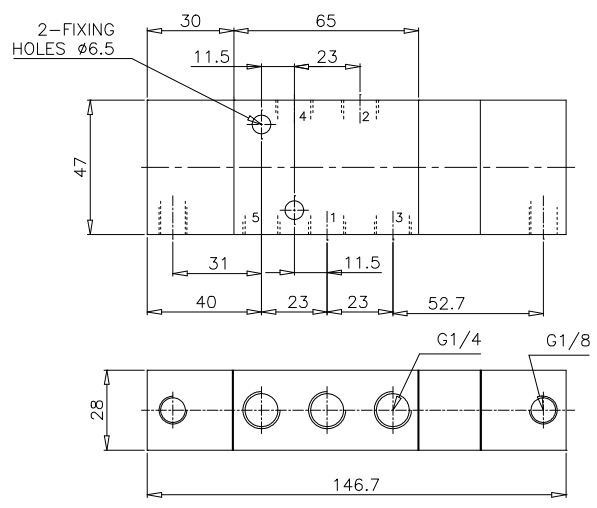
Model Number : **ZX3 0641 02**
 Type : 5/2
 Pilot Pressure : 3 - 10 Bar

Pressure Set-Reset

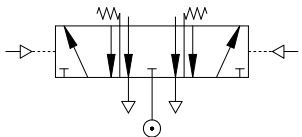


Model Number : **ZX3 0647 02**
 Type : 5/2
 Pilot Pressure : 2 - 10 Bar
 Valve should be mounted with the axis of spool horizontal

Spring Centralised, Pressure Actuated

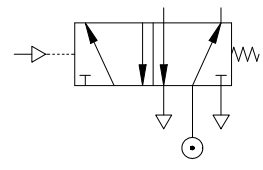
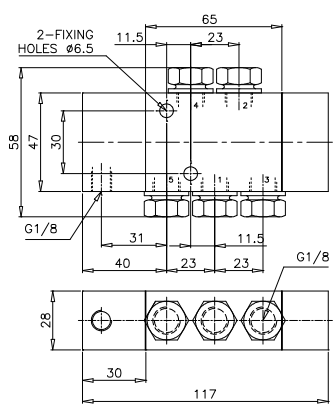


Model Number : **ZX3 3607 02**
 Type : 5/3 Fully sealed mid-position
 Pilot Pressure : 3 - 10 Bar



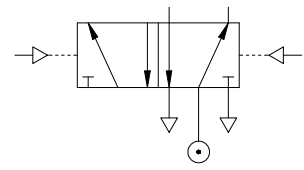
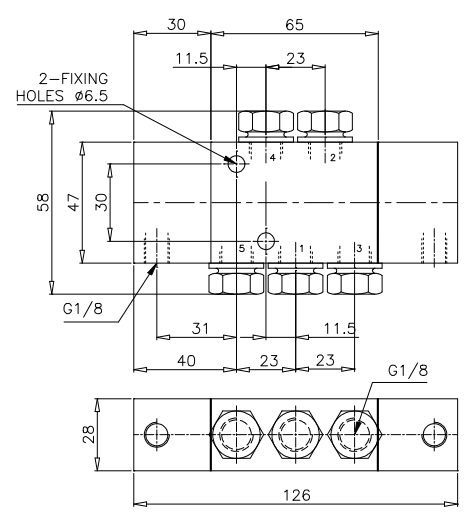
Model Number : **ZX3 3647 02**
 Type : 5/3 Supply sealed mid-position
 Pilot Pressure : 3 - 10 Bar

Pressure Actuated, Spring Return



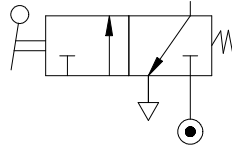
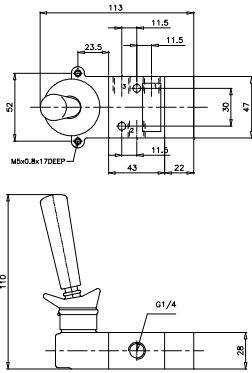
Model Number : **ZX3 0441 02**
 Type : 5/2
 Pilot Pressure : 3 - 10 Bar

Pressure Set-Reset



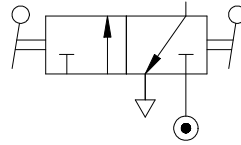
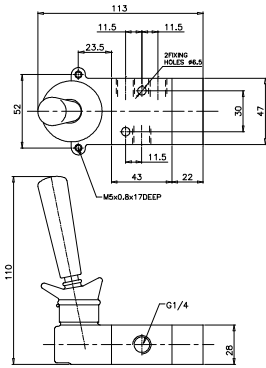
Model Number : **ZX3 0447 02**
 Type : 5/2
 Pilot Pressure : 2 - 10 Bar

Lever Operated, Spring Return



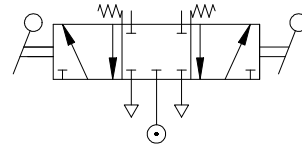
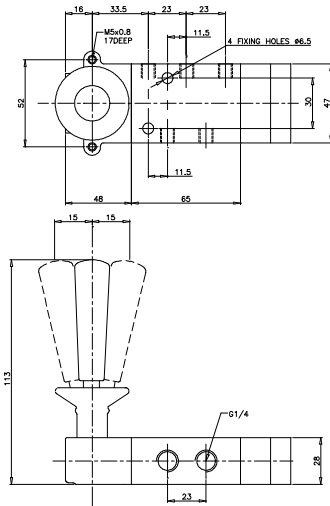
Model Number : **Z03 0638 02**
 Type : 3/2 Normally Closed
 Manual Operated

Lever Set-Reset

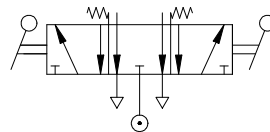


Model Number : **Z03 0637 02**
 Type : 3/2
 Manual Operated

Spring Centralised, Lever Operated

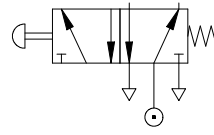
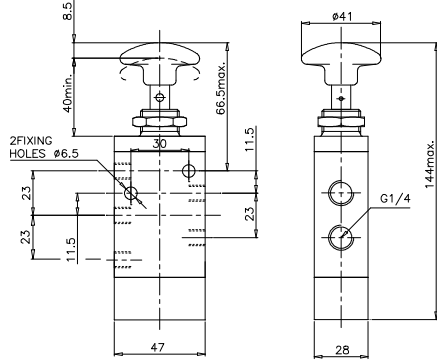


Model Number : **ZX3 3638 02**
 Type : 5/3 Fully sealed mid-position
 Manually Operated



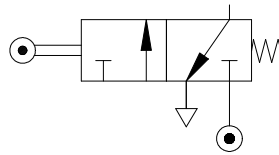
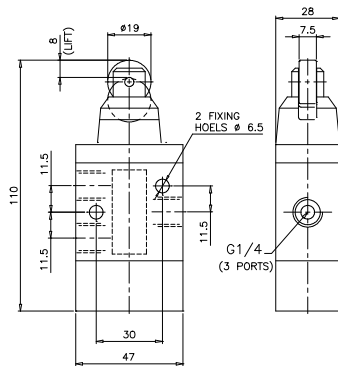
Model Number : **ZX3 3678 02**
 Type : 5/3 Fully sealed mid-position
 Manually Operated

Button Operated, Spring Return



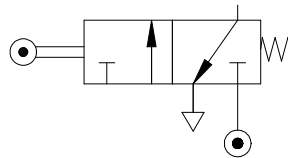
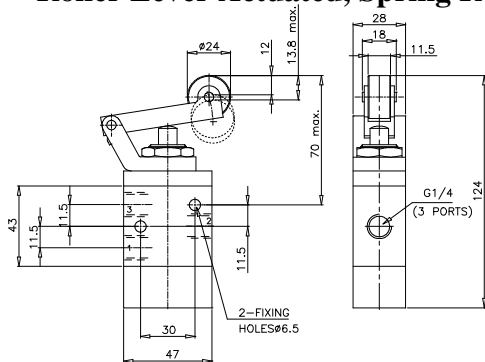
Model Number : **ZX3 0644 02**
 Type : 5/2
 Manually Operated

Roller Actuated, Spring Return



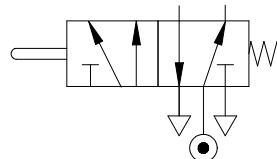
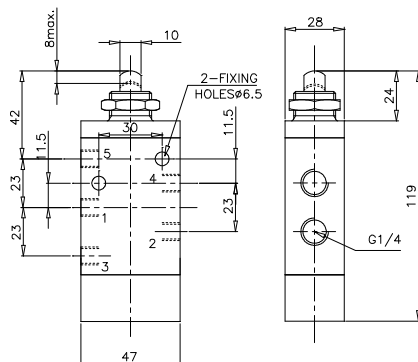
Model Number : **Z03 0602 02**
 Type : 3/2 Normally closed
 Mechanically Actuated

Roller Lever Actuated, Spring Return



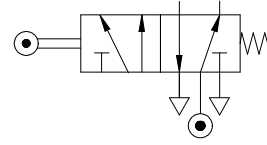
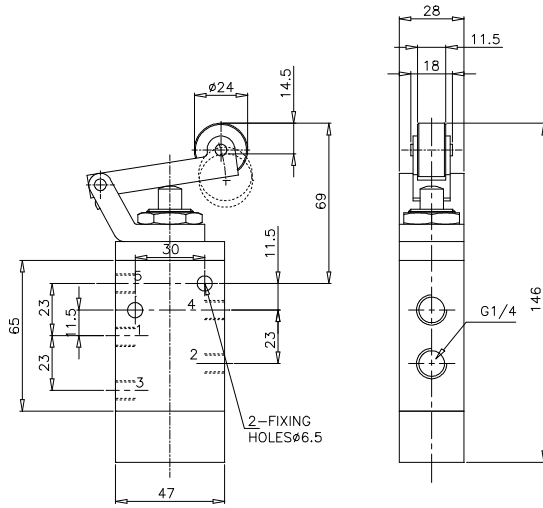
Model Number : **Z03 0611 02**
 Type : 3/2 Normally closed
 Mechanically Actuated

Plunger Lever Actuated, Spring Return



Model Number : **ZX3 0604 02**
 Type : 5/2
 Mechanically Actuated

Roller Lever Actuated, Spring Return



Model Number : **ZX3 0651 02**

Type : 5/2

Mechanically Actuated