

5/2 & 5/3 Piston Valves ZM/1700 & ZNCN/1700

Ordering Examples

The models listed are supplied complete with side ported sub-base, e.g.ZM/1702/3 is a G ¼ pressure set-reset model. For bottom ported sub-base, add 'B' prefix e.g.ZBM/1702/3. For solenoid models, add voltage code to model number, e.g. a solenoid pilot set-reset G ½ with 220V 50Hz solenoids is model ZM/1764/123/137.

Series	Size	A	B	C	D	E	F	G	H
ZM/17-2	G1/4	35	25.5	124	65	17.5	17	67.5	M6
ZM/17-4	G1/2	48.5	35	179	89.5	24.2	23	102	M8
ZM/17-8	G1	96	62	200	137	13	11.5	177	M10

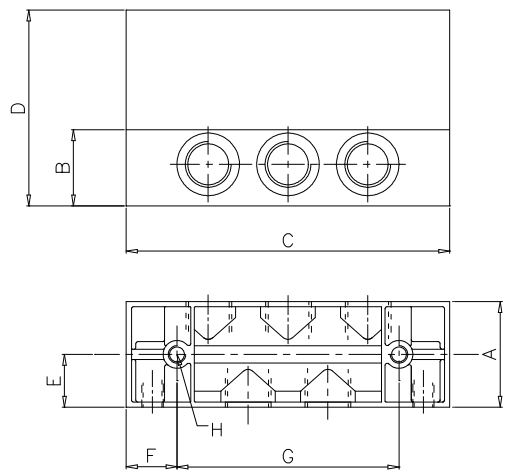
* Special coil voltage can be offered on request – contact our technical services.

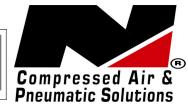
Standard Coil – Voltage Codes

AC	Voltage	
	DC	Code
-	24V	10
110V 120V	-	131
220V 240V	-	137

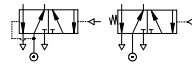
Voltage Tolerances:

- A.C. Model + 10% - 15%
- D.C. Model + 10%

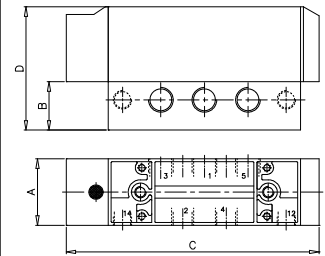




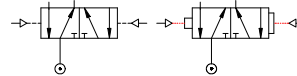
**Pressure Actuated, Air return-/2
Pressure Actuated, Spring Return-/40**



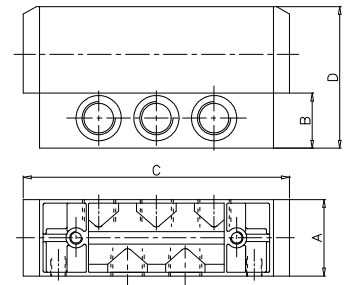
Model	Type	Port Size	Pilot Pressure At 6 bar	A	B	C	D	Spare Kit
ZM/1702/2	5/2	G1/4	5.2 bar	35	25.5	124	65	ZQM/1702/2/00
ZM/1704/2	5/2	G1/2	4.8 bar	48.5	35	179	89.5	ZQM/1704/2/00
ZNCN/1702/40	5/2	G1/4	2.8 bar	35	25.5	124	65	ZQNCN/1702/40/00
ZNCN/1704/40	5/2	G1/2	3.4 bar	48.5	35	148	89.5	ZQNCN/1704/40/00



**Pressure Set-reset-/3
Pressure Priority Set, Pressure Reset-/33**



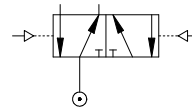
Model	Type	Port Size	Pilot Pressure At 6 bar	A	B	C	D	Spare Kit
ZM/1702/3	5/2	G1/4	2.4 bar	35	25.5	102	65	ZQM/1702/3/00
ZM/1704/3	5/2	G1/2	2.9 bar	48.5	35	148	89.5	ZQM/1704/3/00
ZM/1702/33	5/2	G1/4	See below	35	25.5	124	65	ZQM/1702/33/00
ZM/1704/33	5/2	G1/2	See below	48.5	35	179	89.5	ZQM/1704/33/00



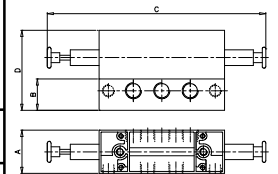
Pilot Pressures:

G1/4 14' = 0.8 + (0.08 x Supply) bar '12' zero '12' = 1.2 + (0.2 Supply) bar '14' zero
 G1/2 14' = 0.5 + (0.08 x Supply) bar '12' zero '12' = 1 + (0.15 Supply) bar '14' zero

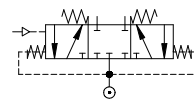
**Pressure Set-reset with
Manual override on main piston-/3/MX**



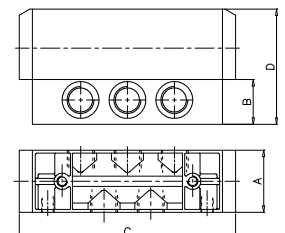
Model	Type	Port Size	Pilot Pressure At 6 bar	A	B	C	D	Spare Kit
ZNCN/1702/3/MX	5/2	G1/4	3.5	35	25.5	177	65	ZQNCN/1702/3/MX/00
ZNCN/1704/3/MX	5/2	G1/2	3.5	48.5	35	230	89.5	ZQNCN/1704/3/MX/00



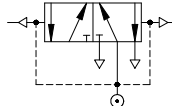
Spring Centralised, Pressure Actuated-/63



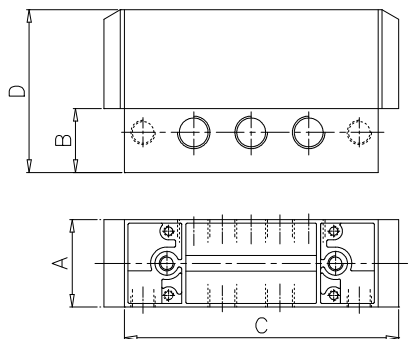
Model	Type	Port Size	Mid Position	Pilot Pressure At 6 bar	A	B	C	D	Spare Kit
ZM/1702/63	5/3	G1/4	All Sealed	3.7 bar	35	25.5	102	65	ZQM/1702/63/00
ZM/1704/63	5/3	G1/2	All Sealed	3.7 bar	48.5	35	148	89.5	ZQM/1704/63/00
ZM/1712/63	5/3	G1/4	Supply Sealed	3.7 bar	35	25.5	102	65	ZQM/1712/63/00
ZM/1714/63	5/3	G1/2	Supply Sealed	3.7 bar	48.5	35	148	89.5	ZQM/1714/63/00



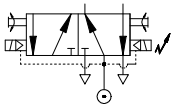
Pressure Release Set-Reset-/4



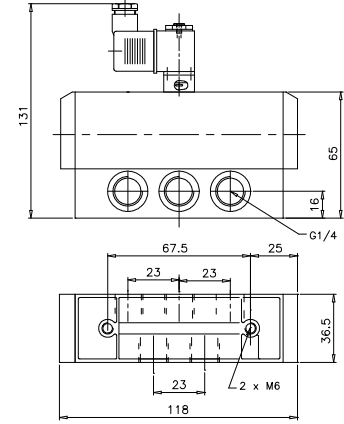
Model	Type	Port				Spares Kit	
		Size	A	B	C		D
ZNCN/1702/4	5/2	G1/4	35	25.5	118	65	ZQNCN/1702/4/00
ZNCN/1704/4	5/2	G1/2	48.5	35	168	89.5	ZQNCN/1704/4/00



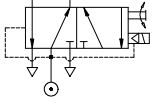
Single Solenoid impulse operated valve



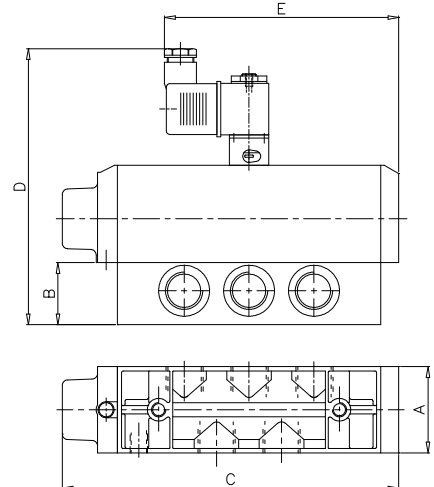
Model	Type	Port		Spares Kit
		Size		
ZNCN/1787/152/M	5/2	G1/4		ZQNCN/1787/152/M/00

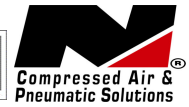


Solenoid Pilot Actuated, Air Return-/152

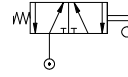


Model	Type	Port					Spares Kit	
		Size	A	B	C	D		E
ZM/1762/152	5/2	G1/4	35	25.5	124	131	100	ZQM/1762/152/00
ZM/1764/152	5/2	G1/2	48.5	35	179	155.5	126.5	ZQM/1764/152/00



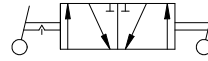


Lever Operated, Spring Return -/86



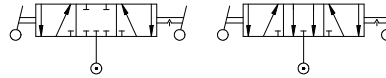
Model	Type	Port Size	Force At 6 bar	Force				Spares Kit
				A	B	C	D	
ZM/1702/86	5/2	G1/4	26N	35	25.5	143.5	200.5	ZQM/1702/86/00
ZM/1704/86	5/2	G1/2	44N	48.5	35	196.5	222.5	ZQM/1704/86/00

Lever Operated, Ser Reset -/7

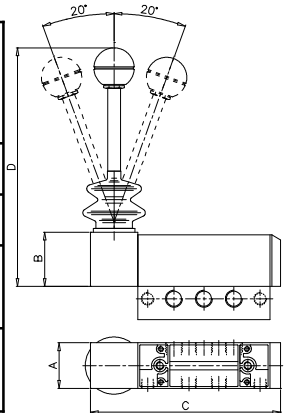


Model	Type	Port Size	Force At 6 bar	Force				Spares Kit
				A	B	C	D	
ZNCN/1702/7	5/2	G1/4	26N	35	25.5	143.5	200.5	ZQNCN/1702/7/00
ZNCN/1704/7	5/2	G1/2	44N	48.5	35	196.5	222.5	ZQNCN/1704/7/00

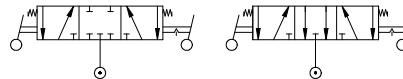
3 Position Lever Operated -/87



Model	Type	Port Size	Mid Position	Force At 6 bar	Force				Spares Kit
					A	B	C	D	
ZM/1702/87	5/3	G1/4	All sealed	31N	35	25.5	143.5	200.5	ZQM/1702/87/00
ZM/1704/87	5/3	G1/2	All sealed	37N	48.5	35	196.5	225.5	ZQM/1704/87/00
ZM/1712/87	5/3	G1/4	Supply sealed	31N	35	25.5	143.5	200.5	ZQM/1712/87/00
ZM/1714/87	5/3	G1/2	Supply sealed	37N	48.5	35	196.5	225.5	ZQM/1714/87/00

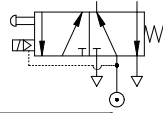


Spring Centralised, Lever Operated -/687

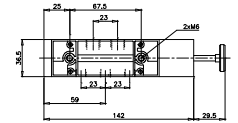
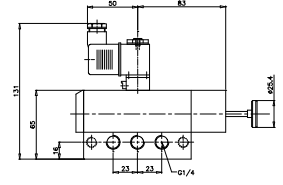


Model	Type	Port Size	Mid Position	Force At 6 bar	Force				Spares Kit
					A	B	C	D	
ZM/1702/687	5/3	G1/4	All sealed	31N	35	25.5	160	200.5	ZQM/1702/687/00
ZM/1704/687	5/3	G1/2	All sealed	42N	48.5	35	216	225.5	ZQM/1704/687/00
ZM/1712/687	5/3	G1/4	Supply sealed	31N	35	25.5	160	200.5	ZQM/1712/687/00
ZM/1714/687	5/3	G1/2	Supply sealed	42N	48.5	35	216	225.5	ZQM/1714/687/00

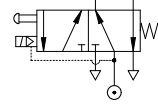
Solenoid Pilot Actuated Spring Return With Manual Override on Main Piston-/152/MZL



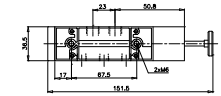
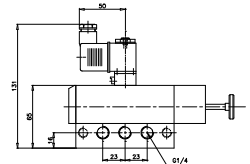
Model	Type	Port Size	Supply Pr.bar	Spares Kit
ZQNCN/1762/152/MZL	5/2	G1/4	2.7-10 bar	ZQNCN/1762/152/MZL/00



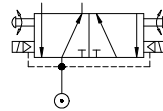
Solenoid Pilot Actuated Spring Return With manual override on main piston-/152/MX



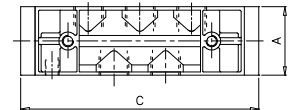
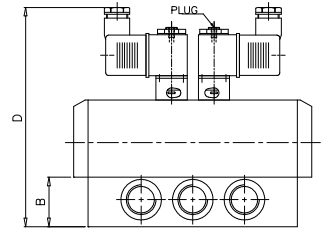
Model	Type	Port Size	Supply Pr.bar	Spares Kit
ZQNCN/1762/152/MX	5/2	G1/4	2.7-10 bar	ZQNCN/1762/152/MX/00



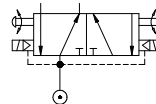
Solenoid Pilot Set-Reset-/123



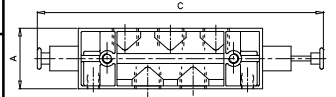
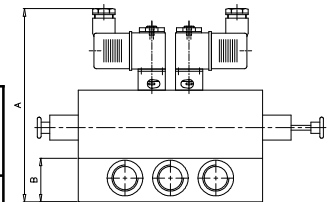
Model	Type	Port Size	A	B	C	D	E	Spares Kit
ZM/1762/123	5/2	G1/4	35	25.5	102	131	130	ZQM/1762/123/00
ZM/1764/123	5/2	G1/2	48.5	35	148	155.5	130	ZQM/1764/123/00



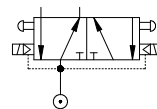
Solenoid Pilot Set-Reset With manual override on main piston-/123/MX



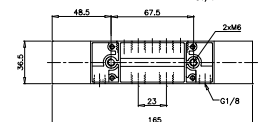
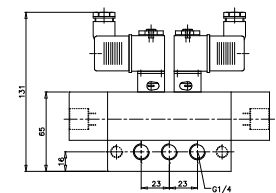
Model	Type	Port Size	A	B	C	D	Spares Kit
ZQNCN/1762/123/MX	5/2	G1/4	35	25.5	176.5	131	ZQNCN/1762/123/MX/00
ZQNCN/1764/123/MX	5/2	G1/2	48.4	35	232	155.5	ZQNCN/1764/123/MX/00



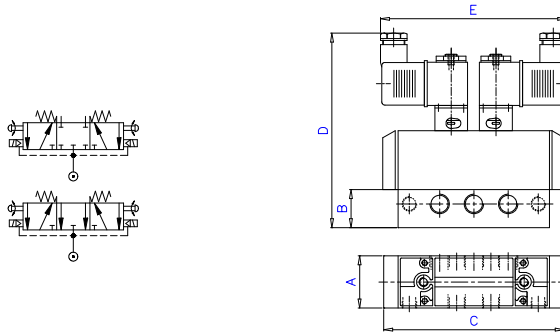
Solenoid Pilot Set-Reset with manual override on main Piston (Shrouded Type)-/123/MY



Model	Type	Port Size	Spares Kit
ZQNCN/1762/123/MY	5/2	G1/4	ZQNCN/1762/123/MY/00



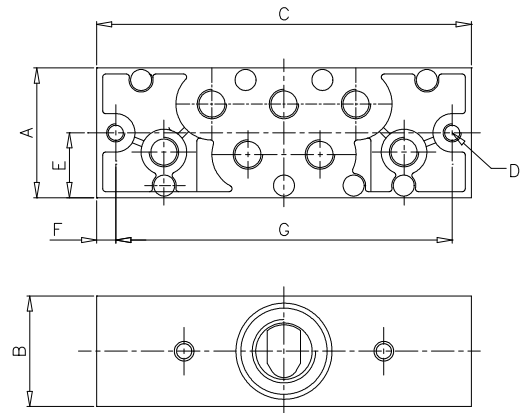
Spring Centralised, Solenoid Pilot Actuated -/6123



Model	Type	Port Size	Mid Position	Supply Pr.	A	B	C	D	E	Spares Kit
ZM/1762/6123	5/3	G1/4	All Sealed	2-10 bar	35	25.5	102	131	130	ZQM/1762/6123/00
ZM/1764/6123	5/3	G1/2	All Sealed	2-10 bar	48.5	35	148	155.5	130	ZQM/1764/6123/00
ZM/1772/6123	5/3	G1/4	Supply Sealed	3-10 bar	35	25.5	102	131	130	ZQM/1772/6123/00
ZM/1774/6123	5/3	G1/2	Supply Sealed	2.7-10 bar	48.5	35	148	155.5	130	ZQM/1774/6123/00

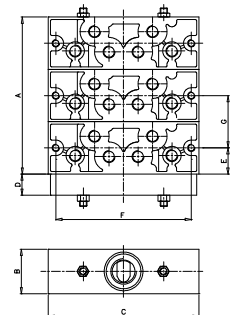
Bottom Ported Sub-base

Series	Port Size	A	B	C	D	E	F	G
ZBM/17-2	G1/4	42	21	124	M6	21.5	6	112
ZBM/17-4	G1/2	57	28.5	161	M8	28.5	6.7	147.6



Sub-base for Manifold Mounting

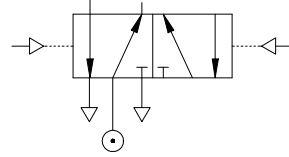
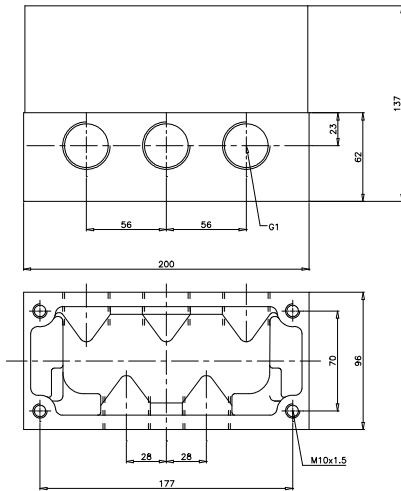
Series	Inlet	Port Size Outlet /Exhaust	A	B	C	D	E	F	G	H
ZCM/17-2	G1/2	G1/4	*Nx43	21	124	25	21.5	112	43	M6
ZCM/17-4	G3/4	G1/2	*Nx60.3	51	163.5	31	30	147.6	60.3	M8



*Number of Valves up to six

For groups of Manifold Mounted Valves, prefix standard model number with letter 'C' and add -/T2 to -/T6 suffix where the Last digit indicates number of valves e.g. ZCM/1702/T4 indicates a manifold of 4 Valves.

Solenoid Pilot Set-reset - /3



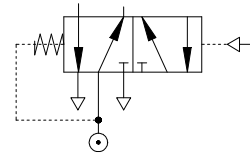
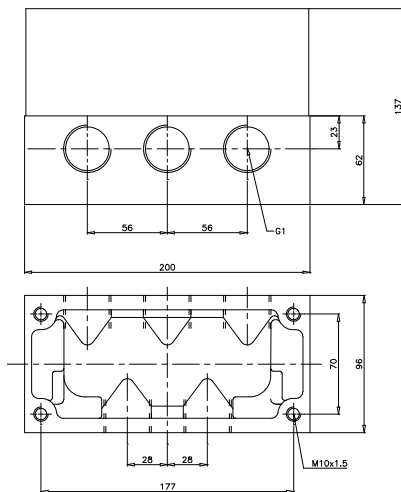
Model Number : **ZM/1748/3**

Type: 5/2

Pilot Pressure: $0.7 + (0.1 \times \text{supply})$

Service kit No.: **ZQM/1718/3/00**

Solenoid Pilot Actuated, Spring and air return valve - /45



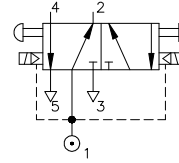
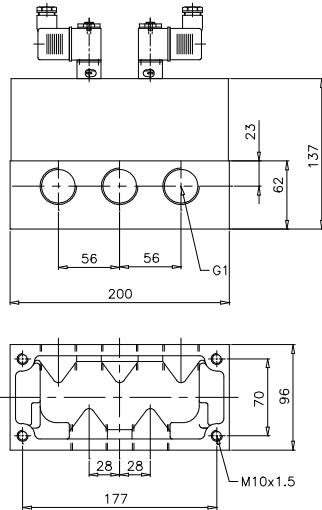
Model Number : **ZM/1718/45**

Type: 5/2

Pilot Pressure: $1 + (0.06 \times \text{supply})$

Service kit No.: **ZQM/1718/45/00**

Solenoid Pilot Set-reset - /123

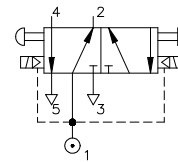
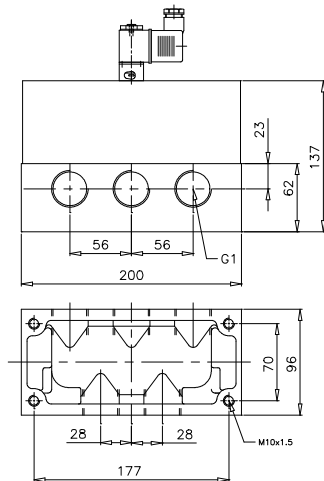


Model Number : **ZM/1748/123**

Type: 5/2

Service kit No.: **ZQM/1748/123/00**

Solenoid Pilot Actuated, Spring and air return valve - /172



Model Number : **ZM/1748/172**

Type: 5/2

Pilot Pressure: 1 + (0.06 x supply)

Service kit No.: **ZQM/1748/172/00**