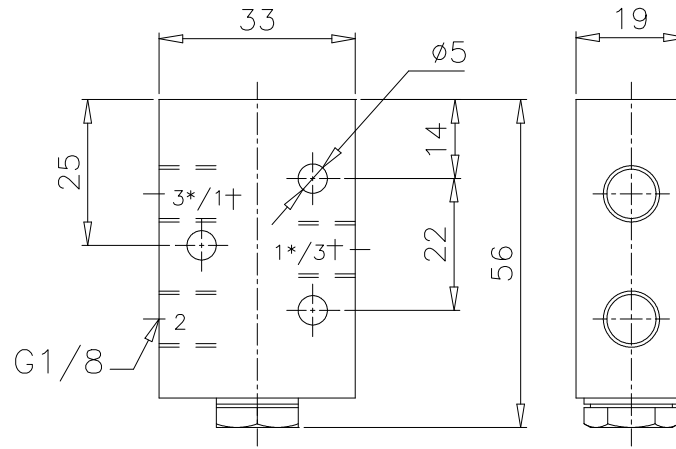


3/2 Poppet Valves ZNCN/666,ZS/666 & ZS/667

Dimensions (mm)
Basic Body



* Normally closed
† Normally open

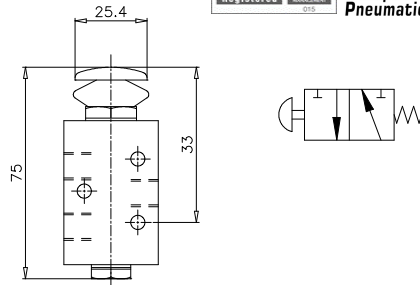
Ordering Example :

Model listed are configured valves complete with operator. To order quote model number in appropriate table. Eg. ZS/666/8 for a normally closed Roller actuated, Spring return valve.

OPERATOR : MANUAL

Button Operated, Spring Return

Model	Force	Travel	Colour(Button)	Spares Kit
ZS/666/1	35N	3	Silver	ZQS/666/1/00

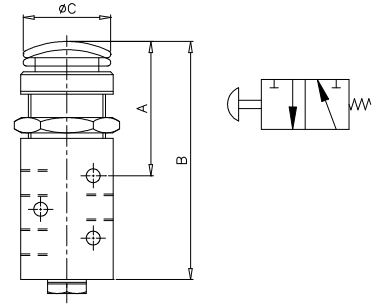


OPERATOR : MANUAL

Button Operated, Spring Return, Panel Mounted, Normally Normally Closed ZPS/666/1

Button Operated, Spring Return, Panel Mounted, Normally Normally Open ZPS/667/1

Model	Force	Travel	Colour(Button)	A	B	C	Spares Kit
ZPS/666/1/N	35N	3	Black	52.6	90	32	ZQS/666/1/00
ZPS/666/1/G	35N	3	Green	52.6	90	32	ZQS/666/1/00
ZPS/666/1/R	35N	3	Red	52.6	90	32	ZQS/666/1/00
ZPS/667/1/N	72N	3	Black	52.6	90	32	ZQS/667/1/00
ZPS/667/1/G	72N	3	Green	52.6	90	32	ZQS/667/1/00
ZPS/667/1/R	72N	3	Red	52.6	90	32	ZQS/667/1/00

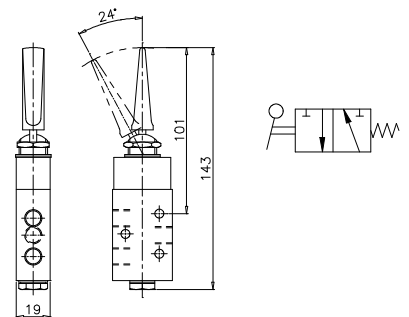


OPERATOR : MANUAL

Lever Operated, Spring Return

Model	Force	Travel	Spares Kit
ZS/666/6	7N	24°	ZQS/666/1/00

Legend plate range S/P15434, Panel Hole $\phi 16$

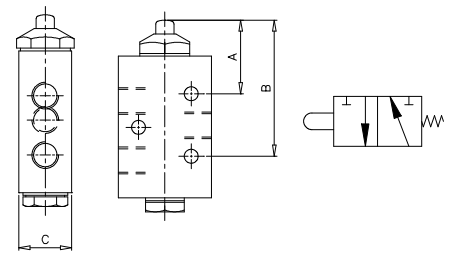


OPERATOR : MECHANICAL

Plunger Actuated, Spring Return, Normally Closed ZS/666/14

Plunger Actuated, Spring Return, Normally Open ZS/667/14

Model	Force	Travel(mm)	A	B	C	Spares Kit
ZS/666/14	35N	3	23	69	19	ZQS/666/1/00
ZS/667/14	70N	3	23	69	19	ZQS/667/1/00



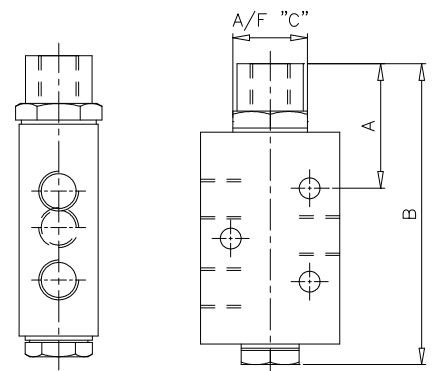
OPERATOR : PRESSURE ACTUATED

Pressure Actuated, Spring Return, Normally Closed ZS/666/40

Pressure Actuated, Spring Return, Normally Open ZS/667/40



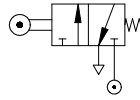
Model	Pilot Pressure	A	B	C	Spares Kit
ZS/666/40	2.8 bar at 7 bar supply	31	72	18	ZQS/666/40/00
ZS/667/40	4.6 bar at 3.5 bar supply	31	72	18	ZQS/667/40/00
ZS/667/40	5.3 bar at 7 bar supply	31	72	18	ZQS/667/40/00
ZS/667/40	6.0 bar at 10 bar supply	31	72	18	ZQS/667/40/00



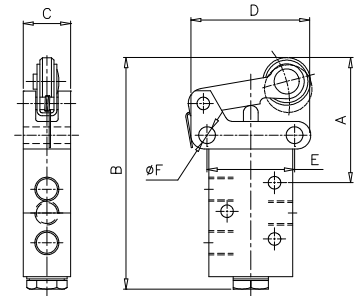


OPERATOR : MECHANICAL

Roller Actuated, Spring Return, Normally Closed ZS/666/8
 Roller Actuated, Spring Return, Normally Open ZS/667/8

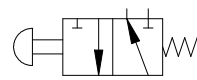


Model	Force	Travel	A	B	C	D	E	F	Spares Kit
ZS/666/8	20N	3-5	50	92	19	49	35	6.7	ZQS/666/1/00
ZS/667/8	20N	3-5	50	92	19	49	35	6.7	ZQS/667/1/00

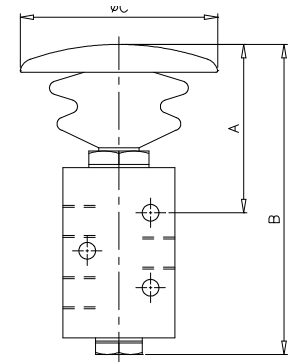


OPERATOR : MANUAL

Button(palm) Operated, Spring Return, Normally Closed

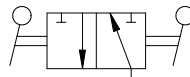


Model	Force	Coloured Buttons	Travel	A	B	C	Spares Kit
ZNCN/666/83/S	35N	Silver	3	52	94	57	ZQS/666/1/00
ZNCN/666/83/G	35N	Green	3	52	94	57	ZQS/666/1/00
ZNCN/666/83/R	35N	Red	3	52	94	57	ZQS/666/1/00

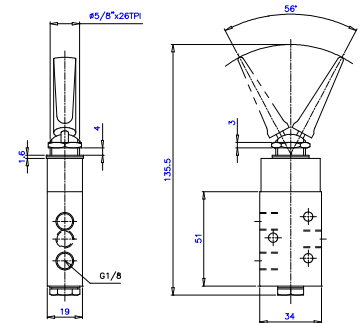


OPERATOR : MANUAL

Lever(Long) Set-Reset-Normally Closed



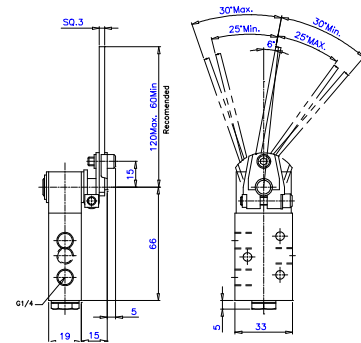
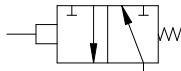
Model	Travel	Spares Kit
ZNCN/666/117	56°	ZQS/666/1/00



OPERATOR : MECHANICAL

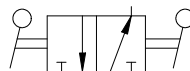
Variable Rod, Spring Return, Normally closed.

Model	Force	Spares Kit
ZNCN/666/106	0.25N	ZQS/666/1/00

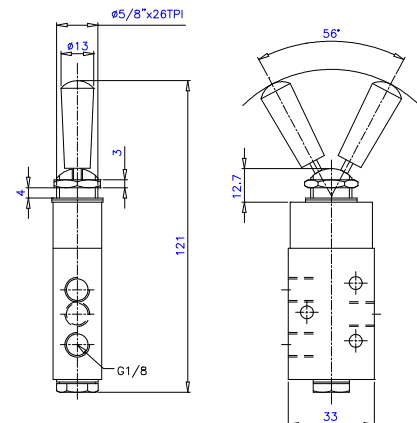


OPERATOR : MANUAL

Lever Set-Reset, Normally Closed



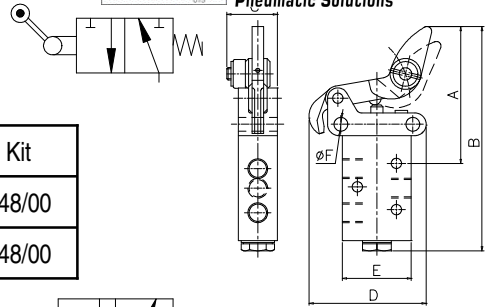
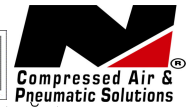
Model	Force	Travel	Spares Kit
ZS/666/7	14N	56°	ZQS/666/1/00



Legend plate, range S/P15434. Panel Hole Ø 16

OPERATOR : MECHANICAL

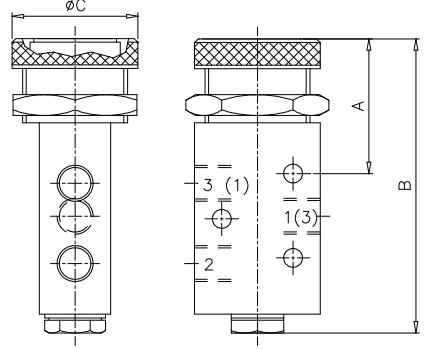
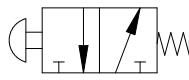
One-way Trip Actuated, Spring Return, Normally Closed ZS/666/48
 One-way Trip Actuated, Spring Return, Normally Open ZS/667/48



Model	Force	Travel	A	B	C	D	E	F	Spares Kit
ZS/666/48	18N	3-5	68	110 ^{0.8}	24.5	60	35	6.7	ZQS/666/48/00
ZS/667/48	40N	3-5	68	110 ^{0.8}	24.5	60	35	6.7	ZQS/667/48/00

OPERATOR : MANUAL

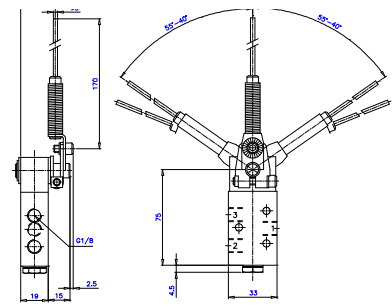
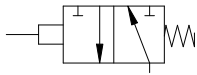
Button(shrouded) operated, Spring Return, Normally Closed ZS/666/51
 Button(shrouded) operated, Spring Return, Normally Open ZS/667/51



Model	Force	Colour (button)	Travel	A	B	C	Spares Kit
ZNCN/666/51/G	35N	Green	3	36	78.5	33.5	ZQS/666/1/00
ZNCN/666/51/R	35N	Red	3	36	78.5	33.5	ZQS/666/1/00
ZNCN/667/51/G	72N	Green	3	36	78.5	33.5	ZQS/667/1/00
ZNCN/667/51/R	72N	Red	3	36	78.5	33.5	ZQS/667/1/00

OPERATOR : MECHANICAL

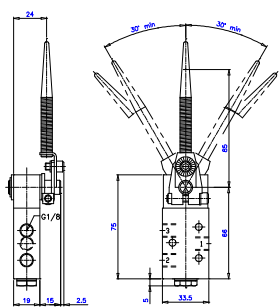
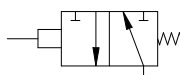
Antenna Spring, Spring Return, Normally Closed



Model	Force	Travel	E	Spares Kit
ZNCN/666/116	0,25nm	35 ⁰ ,45 ⁰ ,55 ⁰	170	ZQS/666/1/00

OPERATOR : MECHANICAL

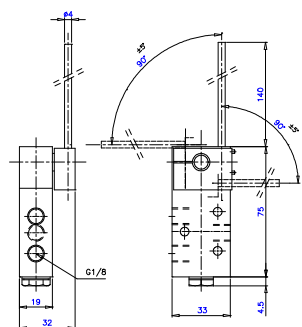
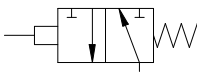
Antenna Spring Rod, Spring Return, Normally Closed



Model	Force	Spares Kit
ZNCN/666/126	0.25Nm	ZQS/666/1/00

OPERATOR : MECHANICAL

Antenna Spring Rod, Spring Return, Normally Closed



Model	Force	Spares Kit
ZNCN/666/136	0.25Nm	ZQS/666/1/00