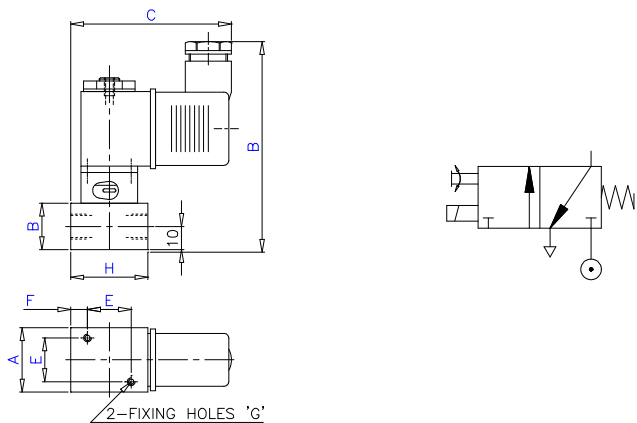


3/2 Electrically Actuated Valves ZM/48,ZM/49,ZM/148,ZM/149

Ordering Examples

To order a valve complete with sub-base, quote the model number in the table, e.g.ZM/48/127 is an M5 ‘normally closed’ low wattage 24Vdc model. For manifold mounted valves, in the case of the ZM/48, ZM/49, ZM/148 and ZM/149 models, add ‘D’ prefix and either /T2/T3 or /T4 suffix, the final digit indicating the required number of valves, e.g. ZDM/48/127/T3 for 3 valves. The manifolds are one-piece blocks with G 1/8 ports at each end. The outlet ports are the same as the corresponding basic model.



To order a coil and terminal box assembly for the ZM/48, ZM/49, ZM/148 and ZM/149 models, quote ZQNCN/48/*/28, inserting voltage code where marked *, eg.ZQNCN/48/10/28.

Note : Low power coils should not be substituted for standard power coils.

Protection Class : IP65 to DIN 40050 insulation class: ‘H’

Typical response times :
on 10 ms
off 10 ms

These miniature solenoids are suitable for the pilot operation of larger valve. The ZM/48 and ZM/49 are ‘normally closed’ types and are also used as pilot operators on the majority of Nucon solenoid pilot valves. The ZM/148 and ZM/149 models are very similar but are ‘normally open’ types. These models feature a manual override as standard. Individual manifolds are available for 2,3 or 4 valves.

All these valves feature a snap-lock retainer which enables the coils to be replaced through 360⁰ in 90⁰ steps. The terminal box can be fitted in either of two positions at 180⁰ to each other.

Coils are available separately as replacements for these valves and for those solenoid pilot valves using these solenoids, see following page.

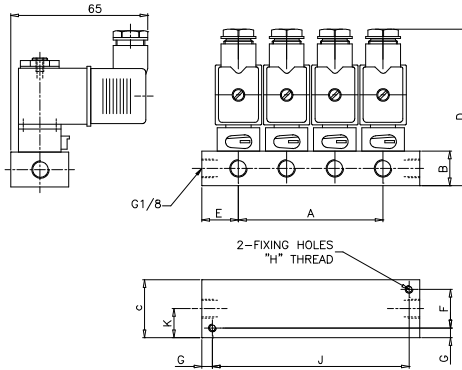
Electrically Actuated, Sub-base Mounted Valve

Model	Type	Port Size	Spares Kit
ZM/48	Normally Closed	M5	
ZM/49	Normally Closed	G1/8	ZQM/48/00
ZM/148	Normally Open	M5	
ZM/149	Normally Open	G1/8	

Add voltage code
Manual Override standard

Replacement Coil Assemblies

Series	Coil
ZM/1762	ZQNCN/48/*/28
ZM/1764	ZQNCN/48/*/28
ZM/1772	ZQNCN/48/*/28
ZM/1774	ZQNCN/48/*/28
SUPER 'X'	ZQNCN/48/*/28



Standard Coil – Voltage Codes

AC	Voltage	
	DC	Code
-	24V	10
110V	-	131
120V	-	
220V	-	137
240V	-	

Voltage Tolerances:

A.C. Model + 10% - 15%

D.C. Model + 10%

Electrically Actuated, Sub-base mounted Valve

Model	Type	No. of Valves	Port Size	A	B	C	D	E	F	G	H	J	K	Spares Kit
ZDM/48/T2	Normally Closed	2	M5											
				24	18	30	80	19	20	5	M4	54	11	ZDQM/48/T2/00
ZDM/49/T2	Normally Closed	2	G1/8											
ZDM/48/T3	Normally Closed	3	M5											
				48	18	30	80	19	20	5	M4	78	11	ZDQM/48/T3/00
ZDM/49/T3	Normally Closed	3	G1/8											
ZDM/48/T4	Normally Closed	4	M5											
				72	18	30	80	19	20	5	M4	102	11	ZDQM/48/T4/00
ZDM/49/T4	Normally Closed	4	G1/8											
ZDM/148/T2	Normally Open	2	M5											
				24	18	30	80	19	20	5	M4	54	11	ZDQM/48/T2/00
ZDM/149/T2	Normally Open	2	G1/8											
ZDM/148/T3	Normally Open	3	M5											
				48	18	30	80	19	20	5	M4	78	11	ZDQM/48/T3/00
ZDM/149/T3	Normally Open	3	G1/8											
ZDM/148/T4	Normally Open	4	M5											
				72	18	30	80	19	20	5	M4	102	11	ZDQM/48/T4/00
ZDM/149/T4	Normally Open	4	G1/8											

Optional and Accessories

Terminal box with lamp indicator
ZM/P24121

Voltage Range	Part No.
12-24V DC	ZM/P24121/1
80-130V AC	ZM/P24121/2
150-230V AC	ZM/P24121/3

a.c.(-) ratings

ZM/P24121/2 and ZM/P2412/3 are Suitable for use at any frequency. Maximum current consumption of Indicator circuit.

ZM/P24121/1	35mA
ZM/P24121/2	15mA
ZM/P24121/3	15mA