

- > **Port size:**
G1/8, G1/4 & G1/2
- > **Adjustment can be locked**
- > **Compact size (low weight) in-line units**
- > **Captive regulator needle will not blow out when unscrewed**
- > **High flow performance**
- > **Adjusting knob position line**
- > **Suitable for panel and wall mounting**
- > **Metered in both directions**



Technical features

Medium:

Compressed air, filtered, lubricated or non-lubricated, inert gases

Operation:

Flow regulators (bi-directional)

Operating pressure:

0 ... 10 bar (0 ... 145 psi)

Port size:

G 1/8, G 1/4, G1/2

Mounting:

Line mounted

Ambient/Media temperature:

-20 ... +80°C (-4 ... +176°F)

Air supply must be dry enough to avoid ice formation at temperatures below +2°C (+35°F).

Materials:

Body: aluminium alloy (painted)


Seals: low nitrile

Internal parts: brass

External parts: aluminium alloy (anodised)

Needle: brass (nickel plated)

Technical data, standard models

Symbol	Port size	Maximum regulated flow factor			Operating pressure (bar)	Weight (kg)	Model
		C *1)	Cv	Kv *2)			
	G1/8	0,57	0,14	0,12	0 ... 10	0,031	T1100C1800
	G1/4	1,3	0,32	0,28	0 ... 10	0,056	T1100C2800
	G1/2	7,5	1,84	1,6	0 ... 10	0,180	T1100C4800

*1) Measured in m³/(s. bar)

*2) Measured in m³/h

Option selector

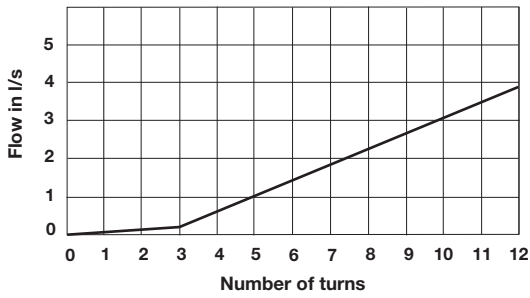
T1100★ ★ ★00

Thread form	Substitute
ISO G, parallel	C
NPT	A

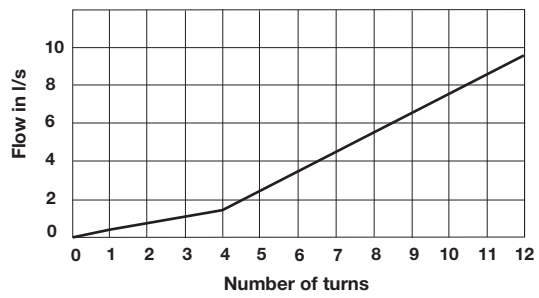
Port size	Substitute
1/8"	18
1/4"	28
1/2"	48

Flow vs turns at 6 bar – flow in dm³/s

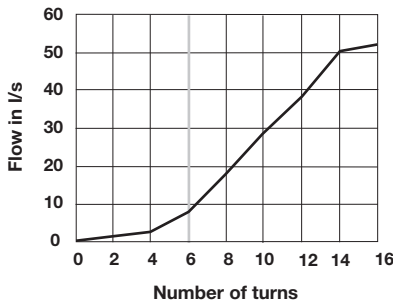
1/8" version



1/4" version

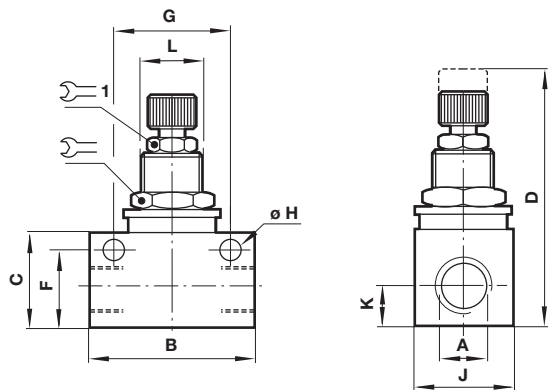


1/2" version



Drawing

Dimensions in mm
Projection/First angle



	A	B	C	D	F	G	H	J	K	L			Panel hole	Max. panel thickness	Model
G1/8	34	20	51	16,5	24	4,5	16	8	M12 x 1	14	9	12,5	4	T1100C1800	
G1/4	45	25,5	61,5	21	32	4,5	19	9,5	M14 x 1	17	9	14,5	4	T1100C2800	
G1/2	65	36	82	30,5	50	6,5	30	15	M20 x 1	24	14	20,5	4	T1100C4800	

Warning

These products are intended for use in industrial compressed air systems only. Do not use these products where pressures and temperatures can exceed those listed under »Technical features/data«.

Before using these products with fluids other than those specified, for non-industrial applications, life-support systems or other applications not within published specifications, consult IMI NORGREN.

Through misuse, age, or malfunction, components used in fluid power systems can fail in various modes.

The system designer is warned to consider the failure modes of all component parts used in fluid power systems and to provide adequate safeguards to prevent personal injury or damage to equipment in the event of such failure.

System designers must provide a warning to end users in the system instructional manual if protection against a failure mode cannot be adequately provided.

System designers and end users are cautioned to review specific warnings found in instruction sheets packed and shipped with these products.